

PRODUCT LINE



MOLINE BEARING CO.



Jamieson Equipment Company
www.jamiesonequipment.com
toll free 800.875.0280

MOLINE PRODUCT LINE



2-BOLT PILLOW BLOCK



4-BOLT PILLOW BLOCK



4-BOLT FLANGE



PILOTED FLANGE

TYPE E TAPERED ROLLER BEARINGS

2-Bolt Pillow Block: shaft sizes from $1\frac{3}{16}$ – $3\frac{1}{2}$, 35mm – 90mm

4-Bolt Pillow Block: shaft sizes from $2\frac{1}{4}$ – 7, 60mm – 180mm

4-Bolt Flange: shaft sizes from $1\frac{3}{16}$ – $4\frac{1}{2}$, 35mm – 115mm

Piloted Flange: shaft sizes from $1\frac{1}{2}$ – 5, 40mm – 125mm

Wide Slot Take-Up: shaft sizes from $1\frac{3}{4}$ – $3\frac{1}{2}$, 45mm – 90mm

TIMKEN insert inside

M2000 SPHERICAL ROLLER BEARINGS

2-Bolt Pillow Block: shaft sizes from $1\frac{3}{16}$ – 4, 40mm – 100mm

4-Bolt Pillow Block: shaft sizes from $2\frac{7}{16}$ – 5, 60mm – 130mm

4-Bolt Flange: shaft sizes from $1\frac{3}{16}$ – 4, 40mm – 100mm

Piloted Flange: shaft sizes from $1\frac{3}{16}$ – 5, 40mm – 130mm

Wide Slot Take-Up: shaft sizes from $1\frac{15}{16}$ – $3\frac{1}{2}$, 50mm – 90mm

TIMKEN insert inside

SKF insert inside

M3000 EVEN-LOCK™ SPHERICAL ROLLER BEARINGS

2-Bolt Pillow Block: shaft sizes from $1\frac{7}{16}$ – 4

4-Bolt Pillow Block: shaft sizes from $2\frac{7}{16}$ – 4

4-Bolt Flange: shaft sizes from $1\frac{7}{16}$ – 4

Piloted Flange: shaft sizes from $1\frac{7}{16}$ – 4

Wide Slot Take-Up: shaft sizes from $1\frac{15}{16}$ – $3\frac{1}{2}$

SKF insert inside

ME2000 SPHERICAL-E ROLLER BEARINGS

2-Bolt Pillow Block: shaft sizes from $1\frac{7}{16}$ – $3\frac{1}{2}$, 40mm – 90mm

4-Bolt Flange: shaft sizes from $1\frac{7}{16}$ – 4, 40mm – 100mm

Piloted Flange: shaft sizes from $1\frac{1}{16}$ – 5, 40mm – 130mm

TIMKEN insert inside

SKF insert inside

MOLINE PRODUCT LINE



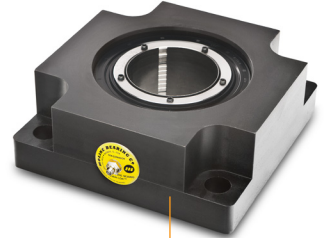
WIDE SLOT TAKE-UP



NORMAL & MEDIUM DUTY
BALL BEARINGS



END CAPS & COVERS



CUSTOM HOUSINGS

ME3000 EVEN-LOCK™ SPHERICAL-E ROLLER BEARINGS

2-Bolt Pillow Block: shaft sizes from $1\frac{7}{16}$ – $3\frac{1}{2}$

4-Bolt Flange: shaft sizes from $1\frac{7}{16}$ – 4

Piloted Flange: shaft sizes from $1\frac{1}{16}$ – 4

SKF: insert inside

NORMAL DUTY MOUNTED BALL BEARINGS

Set Screw Locking and Eccentric Locking Collars available in Complete Units, Inserts and Housings, 2-Bolt Pillow Block, 2-Bolt Flange, 4-Bolt Flange, Piloted Flange, Wide Slot Take-Up
shaft sizes from $\frac{1}{2}$ – $3\frac{7}{16}$

MEDIUM DUTY MOUNTED BALL BEARINGS

Set Screw Locking Collars available in Complete Units, 2-Bolt Pillow Block, 2-Bolt Flange, 4-Bolt Flange
shaft sizes from 1 – 4

END CAPS AND COVERS

Open End Caps, Closed End Caps and Bearing Covers

Available in standard impact resistant black ABS and PETG plastic, other colors and materials also available upon request. Seals, gaskets and grease fitting options offered.

CUSTOM HOUSINGS AND COATINGS

Custom Housings

Moline Engineers are available to custom design or modify existing housings to resolve any design or operating issues you may encounter. Steel, Stainless Steel, Specialty Metals, Seals and Lubrications are available as well. No minimum quantities required, please call the factory for more information.

Custom Coatings

Stainless Steel powder coating, Anti-microbial epoxy, Plascoat, Nickel and Teflon coatings available. PMS and RAL color matched powder coated colors offered.

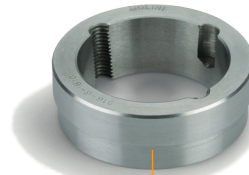
MOLINE PRODUCT LINE



SPECIALTY COATINGS



BUSHINGS



WELD-ON HUBS



SHAFT COLLARS

QD, TAPERED AND D BUSHINGS

QD Bushings

Available in styles JA, SH, SDS, SD, SK, SF, E, F, J, M, N and P in a complete range of bore sizes

Tapered Bushings

Available in styles 1008, 1108, 1210, 1215, 1310, 1610, 1615, 2012, 2517, 2525, 3020, 3030, 3535, 4040, 4545 and 5050 in a complete range of bore sizes

D Bushings

in a complete range of bore sizes

WELD-ON HUBS

Tapered Weld-On Hubs

Available in Type S from 1610 through 3535, and Type W from 1210 through 5050

QD Weld-On Hubs

Available in styles JA-A, SH-A, SDS-A, SK-A, SF-A, E-A, F-A, J-A, M-A, N-A and P-A

SHAFT COLLARS

Zinc-Plated Solid Collars

Available in sizes from $\frac{1}{8}$ – $4\frac{15}{16}$

Stainless Steel Solid Collars

Available in sizes from $\frac{1}{8}$ – 4

Black Oxide Single and Double Split Collars

Available in sizes from $\frac{1}{4}$ – $4\frac{7}{16}$

Stainless Steel Single and Double Split Collars

Available in sizes from $\frac{1}{4}$ – $3\frac{1}{2}$

BALL BEARINGS

Moline Bearing's Normal Duty Mounted Ball Bearings consist of a single row deep groove ball bearing and cast iron housings. These are available in wide range of shaft sizes in 2-Bolt Pillow Blocks, 2-Bolt and 4-Bolt Flanges, Piloted Flange and Wide Slot Take-Up units.

The self-contained bearing with a spherical ground outside diameter is assembled into a corresponding spherical seat of the housing, providing full self-alignment of the bearing in the housing at mounting. Moline's Mounted Ball Bearings are supplied from the factory in shaft-ready condition.

For set screw locking units (UC series), the inner rings of the bearing are through hardened in the raceway, while the extended ring where the set screws are installed is metallurgically mild and softened. This unique heat treatment ensures full bearing performance and prevents the set screws from loosening during operation. Thus, the set screws can be tightened as needed without causing cracks on the inner ring.

Moline's eccentric locking units (HC series) are considered the easiest units to install. These units eliminate the need for loc nuts, washers and adapters. Eccentric units grip the shaft securely and self-tighten. The unit is secured to the shaft by rotating the collar relative to the inner ring. A set screw is supplied to allow supplementary locking and to prevent loosening in case of any sudden reverse action. Eccentric locking units should not be used, however, for bi-directional applications.

We sell these bearings as complete units or as separate components (inserts and housings).

All ball bearing housings come with a standard paint finish. Other coatings such as Nickel plating, Epoxy and Teflon coating are also available. Special machining is also available, please call us at the factory for further information.

These Mounted Ball Bearings are carried in Moline warehouses and distributor stocks throughout the United States and in Canada.

FEATURES OF MOLINE NORMAL DUTY MOUNTED BALL BEARINGS

- Available in sizes from ½" to 3 7/16"
- Easy installation and maintenance
- Supplied from factory in shaft-ready condition
- Dimensionally interchangeable with comparable units
- Fully self-aligning
- Standard grease fitting for re-lubrication
- Contact seals are standard
- Wide inner ring for rigidity and more effective set screw locking
- Single piece housings made of Class 30 cast iron
- Operating temperatures up to 200° F
- Housings available in standard painted finish
- Custom colors, Powder Coating, Nickel plating, Epoxy, Teflon and other coatings are available upon request
- Custom machining and design is available
- Available for sale as complete units, inserts and housings

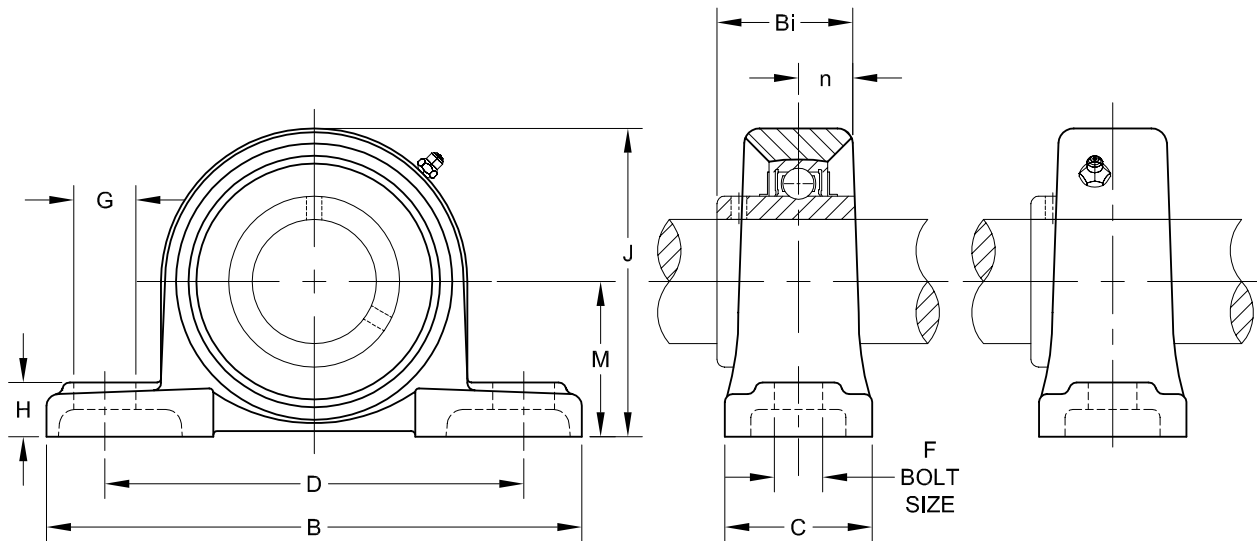
MOUNTED BALL BEARING 2-BOLT PILLOW BLOCK

UCP 200 Series—Normal Duty Set Screw Locking Collar

BALL BEARINGS

SHAFT SIZE	MOLINE PART #	UNIT #	DIMENSIONS (INCHES)				
			M	B	D	C	F
1/2	19421008	UCP 201-8					
5/8	19421010	UCP 202-10	1 5/16	5	3.779	1.456	1/2
3/4	19421012	UCP 204-12					
7/8	19421014	UCP 205-14					
15/16	19421015	UCP 205-15	1 7/16	5 1/2	4 1/8	1 1/2	1/2
1	19421100	UCP 205-16					
1 1/8	19421102	UCP 206-18					
1 3/16	19421103	UCP 206-19	1 11/16	6 1/4	4 3/4	1.732	.551
1 1/4	19421104-06	UCP 206-20					
1 1/4	19421104	UCP 207-20					
1 5/16	19421105	UCP 207-21	1 7/8	6 9/16	5	1-7/8	.590
1 3/8	19421106	UCP 207-22					
1 7/16	19421107	UCP 207-23					
1 1/2	19421108	UCP 208-24	1 15/16	7 1/4	5.354	2.047	.590
1 9/16	19421109	UCP 208-25					

For sale as complete units, inserts and housings.



MOUNTED BALL BEARING 2-BOLT PILLOW BLOCK

SHAFT SIZE	DIMENSIONS (INCHES)					BOLT SIZE (INCHES)	INSERT #	HOUSING #	WEIGHT LBS.
	G	H	J	Bi	n				
1/2 5/8 3/4	6 1/4	.551	2.511	1.22	0.500	3/8	UC 201-8 UC 202-10 UC 204-12	P204	1.43
7/8 15/16 1	3/4	.590	2.736	1.339	0.563	3/8	UC 205-14 UC 205-15 UC 205-16	P205	1.59
1 1/8 1 3/16 1 1/4	3/4	6 1/4	3.228	1.50	0.626	1/2	UC 206-18 UC 206-19 UC 206-20	P206	2.54
1 1/4 1 5/16 1 3/8 1 7/16	3/4	.669	3.622	1.689	0.689	1/2	UC 207-20 UC 207-21 UC 207-22 UC 207-23	P207	3.37
1 1/2 1 9/16	13/16	.709	3.858	1.937	0.748	1/2	UC 208-24 UC 208-25	P208	4.14

BALL BEARINGS



CAD drawings available upon request at no additional charge.

Furnished in non-expansion type only.

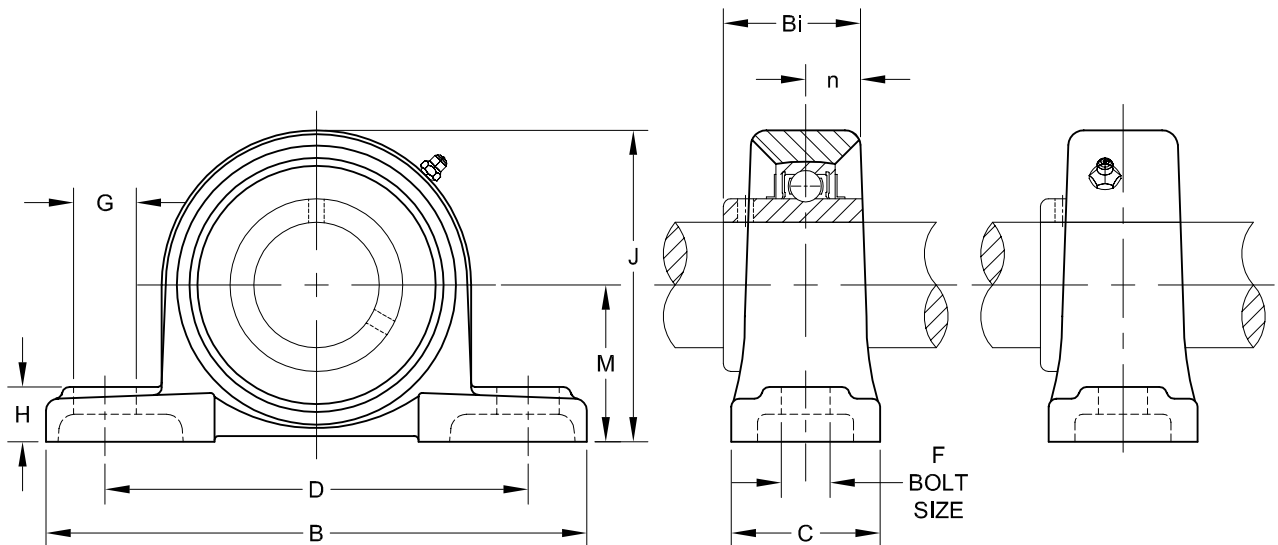
MOUNTED BALL BEARING 2-BOLT PILLOW BLOCK CONTINUED

UCP 200 Series—Normal Duty Set Screw Locking Collar

BALL BEARINGS

SHAFT SIZE	MOLINE PART #	UNIT #	DIMENSIONS (INCHES)				
			M	B	D	C	F
1 5/8 1 11/16 1 3/4	19421110 19421111 19421112	UCP 209-26 UCP 209-27 UCP 209-28	2 1/8	7.44	5 3/4	2-1/8	.590
1 7/8 1 15/16 2	19421114 19421115 19421200-10	UCP 210-30 UCP 210-31 UCP 210-32	2 1/4	8.031	6 1/4	2.244	3/4
2 2 1/8 2 3/16	19421200 19421202 19421203	UCP 211-32 UCP 211-34 UCP 211-35	2 1/2	8.543	6.771	2-3/8	3/4
2 1/4 2 3/8 2 7/16	19421204 19421206 19421207	UCP 212-36 UCP 212-38 UCP 212-39	2 3/4	9.370	7.323	2.598	3/4
2 1/2	19421208	UCP 213-40	3	10.315	8	2 3/4	.905
2 3/4	19421212	UCP 214-44	3 1/8	10.472	8.268	2.834	.905
2 15/16 3	19421215 19421300	UCP 215-47 UCP 215-48	3 1/4	10.787	8.543	2.913	.984
3 7/16	19421307	UCP 218-55	4	12.835	10.315	3.465	1.05

For sale as complete units, inserts and housings.



MOUNTED BALL BEARING 2-BOLT PILLOW BLOCK

SHAFT SIZE	DIMENSIONS (INCHES)					BOLT SIZE (INCHES)	INSERT #	HOUSING #	WEIGHT LBS.
	G	H	J	Bi	n				
1 5/8 1 11/16 1 3/4	13/16	.787	4.153	1.937	0.748	1/2	UC 209-26 UC 209-27 UC 209-28	P209	4.63
1 7/8 1 15/16 2	.866	.827	4.417	2.031	0.748	5/8	UC 210-30 UC 210-31 UC 210-32	P210	5.51
2 2 1/8 2 3/16	.866	.866	4.901	2.189	0.874	5/8	UC 211-32 UC 211-34 UC 211-35	P211	7.28
2 1/4 2 3/8 2 7/16	.984	.945	5.394	2.563	1.000	5/8	UC 212-36 UC 212-38 UC 212-39	P212	12.13
2 1/2	1.142	1.023	5.866	2.566	1.000	3/4	UC 213-40	P213	12.35
2 3/4	1.142	1.063	6.102	2.937	1.189	3/4	UC 214-44	P214	14.55
2 15/16 3	1.142	1.102	6.363	3.063	1.311	3/4	UC 215-47 UC 215-48	P215	16.09
3 7/16	1.181	1.30	7.795	3.78	1.563	7/8	UC 218-55	P218	32.40

BALL BEARINGS



CAD drawings available upon request at no additional charge.

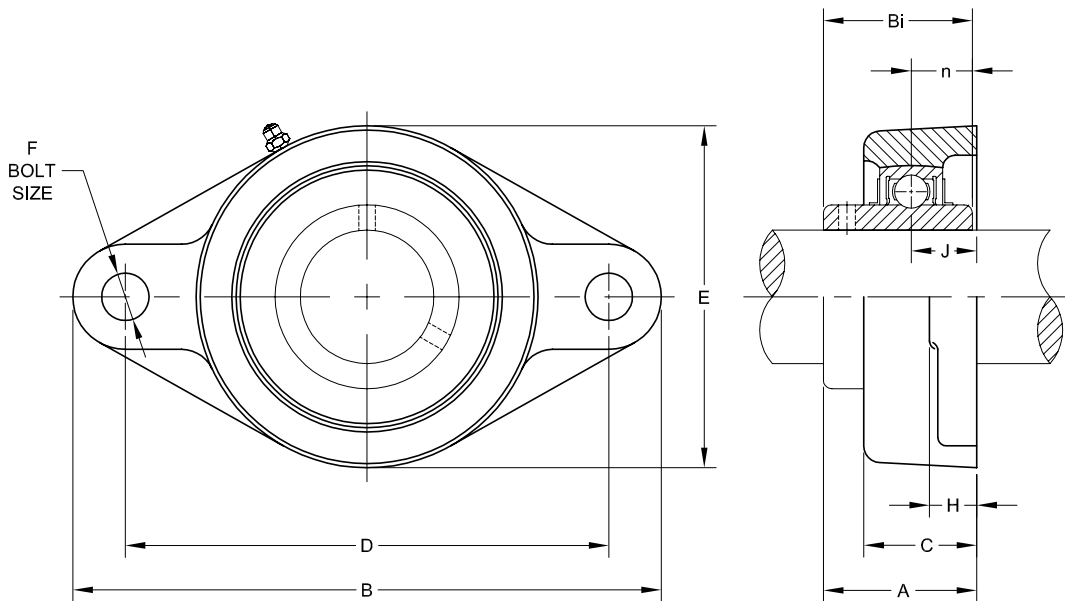
MOUNTED BALL BEARING 2-BOLT FLANGE

UCFL 200 Series—Normal Duty Set Screw Locking Collar

BALL BEARINGS

SHAFT SIZE	MOLINE PART #	UNIT #	DIMENSIONS (INCHES)						
			B	D	J	H	C	F	
1/2	19401008	UCFL 201-8							
5/8	19401010	UCFL 202-10	4.489	3.543	.591	.433	1	.452	
3/4	19401012	UCFL 204-12							
7/8	19401014	UCFL 205-14							
15/16	19401015	UCFL 205-15	5.118	3.898	.630	.512	1.062	.452	
1	19401100	UCFL 205-16							
1 1/8	19401102	UCFL 206-18							
1 3/16	19401103	UCFL 206-19	5.827	4.606	.709	.512	1.220	.452	
1 1/4	19401104-06	UCFL 206-20							
1 1/4	19401104	UCFL 207-20							
1 5/16	19401105	UCFL 207-21	6.338	5.118	.748	.551	1.338	.551	
1 3/8	19401106	UCFL 207-22							
1 7/16	19401107	UCFL 207-23							
1 1/2	19401108	UCFL 208-24							
1 9/16	19401109	UCFL 208-25	6.890	5.669	.827	.551	1.417	.551	
1 5/8	19401110	UCFL 209-26							
1 11/16	19401111	UCFL 209-27	7.401	5.827	.866	.630	1.496	.709	
1 3/4	19401112	UCFL 209-28							

For sale as complete units, inserts and housings.



MOUNTED BALL BEARING 2-BOLT FLANGE

SHAFT SIZE	DIMENSIONS (INCHES)				BOLT SIZE (INCHES)	INSERT #	HOUSING #	WEIGHT LBS.
	E	A	Bi	n				
1/2 5/8 3/4	2.362	1.311	1.220	0.500	3/8	UC 201-8 UC 202-10 UC 204-12	FL204	1.06
7/8 15/16 1	2.677	1.406	1.339	0.563	3/8	UC 205-14 UC 205-15 UC 205-16	FL205	1.43
1 1/8 1 3/16 1 1/4	3 1/8	1.583	1.500	0.626	3/8	UC 206-18 UC 206-19 UC 206-20	FL206	2.16
1 1/4 1 5/16 1 3/8 1 7/16	3 9/16	1.748	1.689	0.689	1/2	UC 207-20 UC 207-21 UC 207-22 UC 207-23	FL207	2.76
1 1/2 1 9/16	3 15/16	2.016	1.937	0.748	1/2	UC 208-24 UC 208-25	FL208	3.64
1 5/8 1 11/16 1 3/4	4 1/4	2.055	1.937	0.748	5/8	UC 209-26 UC 209-27 UC 209-28	FL209	4.30

BALL BEARINGS



CAD drawings available upon request at no additional charge.

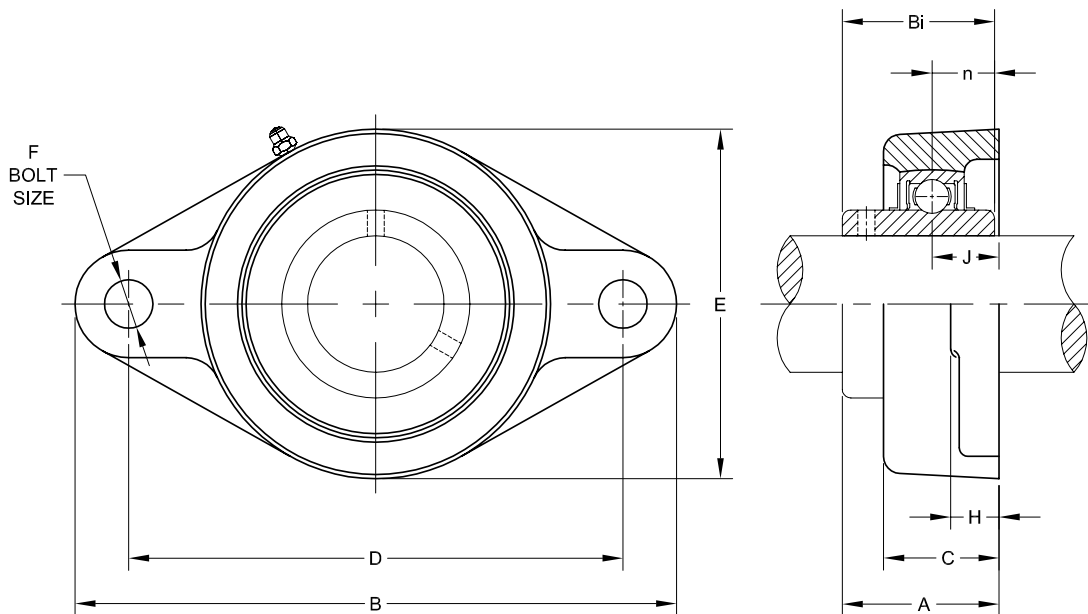
Furnished in non-expansion type only.

MOUNTED BALL BEARING 2-BOLT FLANGE CONTINUED

UCFL 200 Series—Normal Duty Set Screw Locking Collar

SHAFT SIZE	MOLINE PART #	UNIT #	DIMENSIONS (INCHES)					
			B	D	J	H	C	F
1 7/8	19401114	UCFL 210-30						
1 15/16	19401115	UCFL 210-31	7.756	6.181	.866	.630	1.575	.709
2	19401200-10	UCFL 210-32						
2	19401200	UCFL 211-32						
2 1/8	19401202	UCFL 211-34	8.819	7.244	.984	.709	1.693	.709
2 3/16	19401203	UCFL 211-35						
2 1/4	19401204	UCFL 212-36						
2 3/8	19401206	UCFL 212-38	9.842	7.953	1.142	.709	1.890	.709
2 7/16	19401207	UCFL 212-39						
2 1/2	19401208	UCFL 213-40	10.157	8.268	1.181	.787	1.968	.905
2 3/4	19401212	UCFL 214-44	10.433	8.504	1.22	.787	2.126	.905
2 15/16	19401215	UCFL 215-47	10.827	8.858	1.339	.866	2.165	.905
3	19401300	UCFL 215-48						
3 7/16	19401307	UCFL 218-55	12.6	10.433	1.575	.906	2.677	.984

For sale as complete units, inserts and housings.



MOUNTED BALL BEARING 2-BOLT FLANGE

SHAFT SIZE	DIMENSIONS (INCHES)				BOLT SIZE (INCHES)	INSERT #	HOUSING #	WEIGHT LBS.
	E	A	Bi	n				
1 7/8 1 15/16 2	4 1/2	2.150	2.031	0.748	5/8	UC 210-30 UC 210-31 UC 210-32	FL210	4.96
2 2 1/8 2 3/16	5 1/8	2.299	2.189	0.874	5/8	UC 211-32 UC 211-34 UC 211-35	FL211	7.27
2 1/4 2 3/8 2 7/16	5 1/2	2.705	2.563	1.00	5/8	UC 212-36 UC 212-38 UC 212-39	FL212	9.37
2 1/2	6 1/8	2.744	2.563	1.00	3/4	UC 213-40	FL213	11.68
2 3/4	6 5/16	2.969	2.937	1.189	3/4	UC 214-44	FL214	13.23
2 15/16 3	6 1/2	3.091	3.063	1.311	3/4	UC 215-47 UC 215-48	FL215	14.33
3 7/16	8 1/16	3.803	3.791	1.563	7/8	UC 218-55	FL218	27.33

BALL BEARINGS



CAD drawings available upon request at no additional charge.

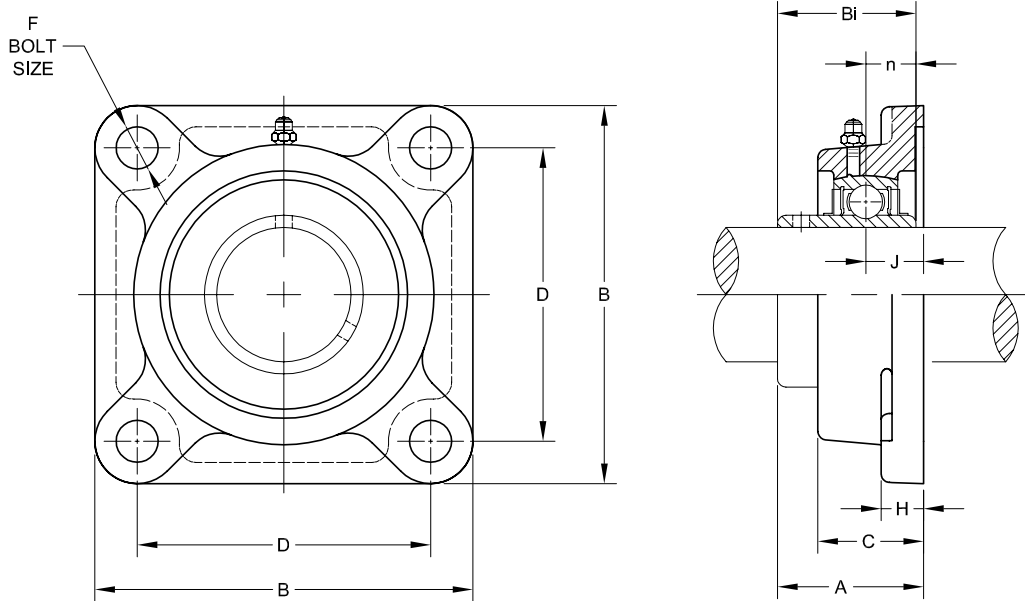
Furnished in non-expansion type only.

MOUNTED BALL BEARING 4-BOLT FLANGE

UCF 200 Series—Normal Duty Set Screw Locking Collar

SHAFT SIZE	MOLINE PART #	UNIT #	DIMENSIONS (INCHES)					
			B	D	J	H	C	F
1/2	19411008	UCF 201-8	3.386	2.520	.591	.433	1	.453
5/8	19411010	UCF 202-10						
3/4	19411012	UCF 204-12						
7/8	19411014	UCF 205-14	3 3/4	2 3/4	.630	.512	1.063	.453
15/16	19411015	UCF 205-15						
1	19411100	UCF 205-16						
1 1/8	19411102	UCF 206-18	4 1/4	3.267	.709	.512	1.220	.453
1 3/16	19411103	UCF 206-19						
1 1/4	19411104-06	UCF 206-20						
1 1/4	19411104	UCF 207-20	4.606	3.622	.748	.591	1.339	.551
1 5/16	19411105	UCF 207-21						
1 3/8	19411106	UCF 207-22						
1 7/16	19411107	UCF 207-23						
1 1/2	19411108	UCF 208-24	5.118	4.016	.827	.591	1.417	.551
1 9/16	19411109	UCF 208-25						
1 5/8	19411110	UCF 209-26	5.394	4.134	.866	.630	1.496	.630
1 11/16	19411111	UCF 209-27						
1 3/4	19411112	UCF 209-28						

For sale as complete units, inserts and housings.



MOUNTED BALL BEARING 4-BOLT FLANGE

SHAFT SIZE	DIMENSIONS (INCHES)			BOLT SIZE (INCHES)	INSERT #	HOUSING #	WEIGHT LBS.
	A	Bi	n				
1/2 5/8 3/4	1.311	1.22	0.500	3/8	UC 201-8 UC 202-10 UC 204-12	F204	1.35
7/8 15/16 1	1.406	1.339	0.563	3/8	UC 205-14 UC 205-15 UC 205-16	F205	1.76
1 1/8 1 3/16 1 1/4	1.583	1.500	0.626	3/8	UC 206-18 UC 206-19 UC 206-20	F206	2.36
1 1/4 1 5/16 1 3/8 1 7/16	1.748	1.689	0.689	1/2	UC 207-20 UC 207-21 UC 207-22 UC 207-23	F207	3.09
1 1/2 1 9/16	2.016	1.937	0.748	1/2	UC 208-24 UC 208-25	F208	3.97
1 5/8 1 11/16 1 3/4	2.055	1.937	0.748	1/2	UC 209-26 UC 209-27 UC 209-28	F209	4.85

BALL BEARINGS



CAD drawings available upon request at no additional charge.

Furnished in non-expansion type only.

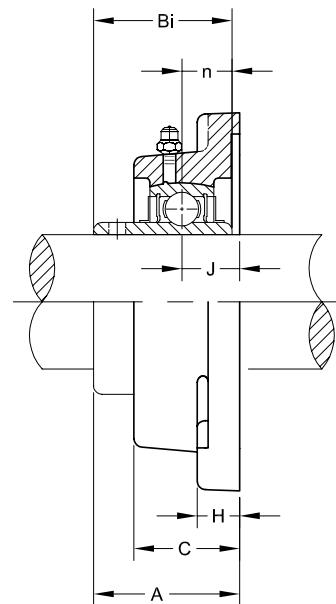
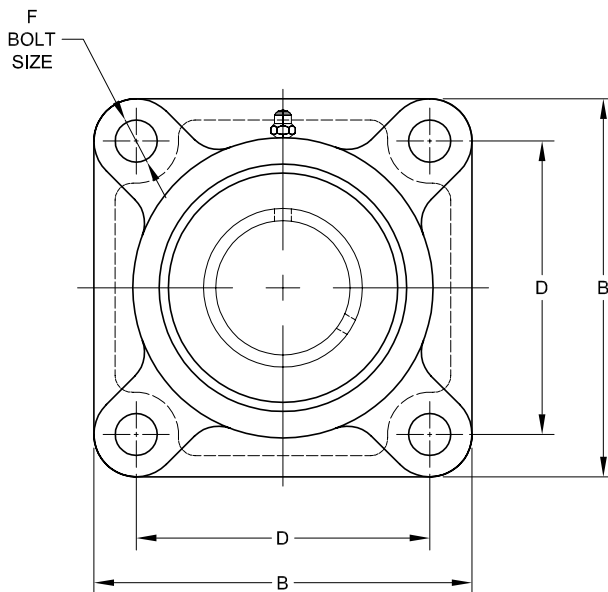
MOUNTED BALL BEARING 4-BOLT FLANGE CONTINUED

UCF 200 Series—Normal Duty Set Screw Locking Collar

BALL BEARINGS

SHAFT SIZE	MOLINE PART #	UNIT #	DIMENSIONS (INCHES)					
			B	D	J	H	C	F
1 7/8	19411114	UCF 210-30	5.630	4.370	.866	.630	1.574	.709
1 15/16	19411115	UCF 210-31						
2	19411200-10	UCF 210-32						
2	19411200	UCF 211-32	6.378	5.118	.984	.709	1.693	.709
2 1/8	19411202	UCF 211-34						
2 3/16	19411203	UCF 211-35						
2 1/4	19411204	UCF 212-36	6.890	5.630	1.142	.709	1.890	.709
2 3/8	19411206	UCF 212-38						
2 7/16	19411207	UCF 212-39						
2 1/2	19411208	UCF 213-40	7.362	5.866	1.181	.866	1.968	.709
2 3/4	19411212	UCF 214-44	7.598	5.984	1.220	.866	2.125	.709
2 15/16	19411215	UCF 215-47	7 7/8	6.259	1.339	.866	2.205	.709
3	19411300	UCF 215-48						
3 7/16	19411307	UCF 218-55	9.25	7.362	1.575	.984	2.677	.906

For sale as complete units, inserts and housings.



MOUNTED BALL BEARING 4-BOLT FLANGE

SHAFT SIZE	DIMENSIONS (INCHES)			BOLT SIZE (INCHES)	INSERT #	HOUSING #	WEIGHT LBS.
	A	Bi	n				
1 7/8 1 15/16 2	2.150	2.031	0.748	1/2	UC 210-30 UC 210-31 UC 210-32	F210	5.29
2 2 1/8 2 3/16	2.299	2.189	0.874	5/8	UC 211-32 UC 211-34 UC 211-35	F211	7.27
2 1/4 2 3/8 2 7/16	2.705	2.563	1.000	5/8	UC 212-36 UC 212-38 UC 212-39	F212	9.26
2 1/2	2.744	2.563	1.000	5/8	UC 213-40	F213	11.68
2 3/4	2.969	2.937	1.189	5/8	UC 214-44	F214	13.01
2 15/16 3	3.091	3.063	1.311	5/8	UC 215-47 UC 215-48	F215	13.89
3 7/16	3.791	3.78	1.563	3/4	UC 218-55	F216	25.57

BALL BEARINGS



CAD drawings available upon request at no additional charge.

Furnished in non-expansion type only.

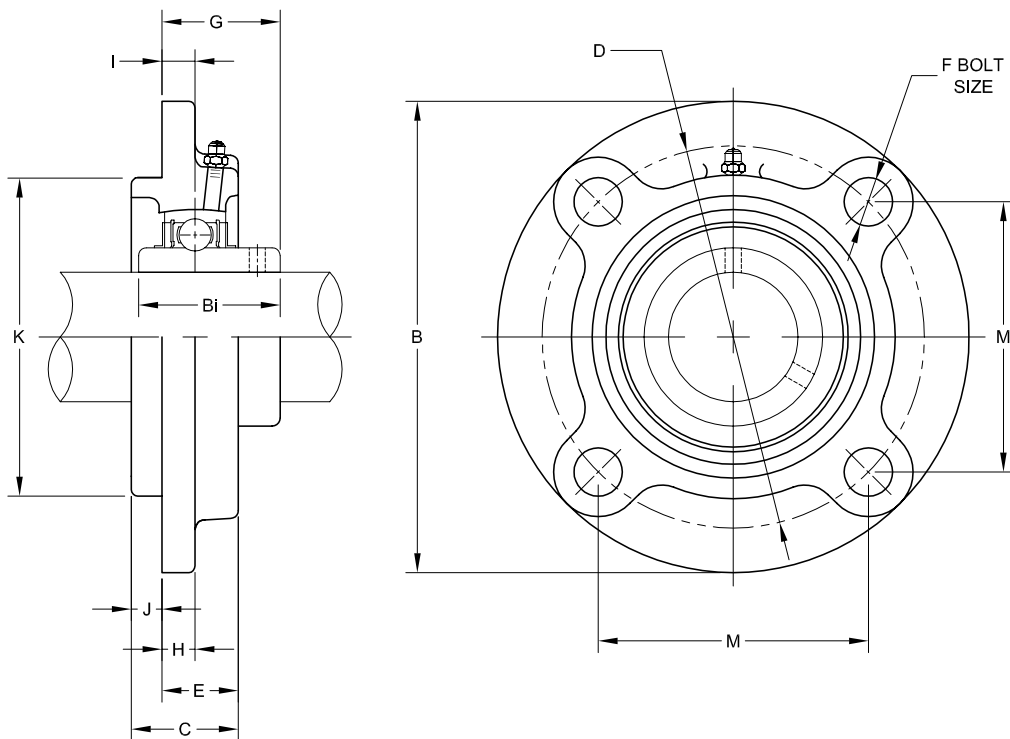
MOUNTED BALL BEARING PILOTED FLANGE

UCFC 200 Series—Normal Duty Set Screw Locking Collar

BALL BEARINGS

SHAFT SIZE	MOLINE PART #	UNIT #	DIMENSIONS (INCHES)					
			B	D	M	I	C	F
3/4	19431012	UCFC 204-12	3 15/16	3.072	2.169	.394	1	.453
7/8	19431014	UCFC 205-14	4.527	3.543	2.504	.394	1.063	.472
1 1/16	19431015	UCFC 205-15						
1	19431100	UCFC 205-16						
1 1/8	19431102	UCFC 206-18	4.921	3.937	2.783	.394	1.220	.472
1 3/16	19431103	UCFC 206-19						
1 1/4	19431104-06	UCFC 206-20						
1 1/4	19431104	UCFC 207-20	5.315	4.331	3.063	.433	1.338	.551
1 5/16	19431105	UCFC 207-21						
1 3/8	19431106	UCFC 207-22						
1 7/16	19431107	UCFC 207-23						
1 1/2	19431108	UCFC 208-24	5.709	4.724	3.338	.433	1.417	.551
1 9/16	19431109	UCFC 208-25						

For sale as complete units, inserts and housings.



MOUNTED BALL BEARING PILOTED FLANGE

SHAFT SIZE	DIMENSIONS (INCHES)						BOLT SIZE (INCHES)	INSERT #	HOUSING #	WEIGHT LBS.
	J	H	E	K	G	Bi				
3/4	.197	.236	.807	2.4409	1.114	1.2205	3/8	UC 204-12	FC204	1.68
7/8 15/16 1	.236	.275	.827	2.7559	1.169	1.3386	3/8	UC 205-14 UC 205-15 UC 205-16	FC205	2.12
1 1/8 1 3/16 1 1/4	.315	.315	.905	3.1496	1.268	1.50	3/8	UC 206-18 UC 206-19 UC 206-20	FC206	3.02
1 1/4 1 5/16 1 3/8 1 7/16	.315	.354	1.023	3.5433	1.433	1.689	7/16	UC 207-20 UC 207-21 UC 207-22 UC 207-23	FC207	3.75
1 1/2 1 9/16	.394	.354	1.023	3.937	1.622	1.937	7/16	UC 208-24 UC 208-25	FC208	4.41

BALL BEARINGS



CAD drawings available upon request at no additional charge.

Furnished in non-expansion type only.

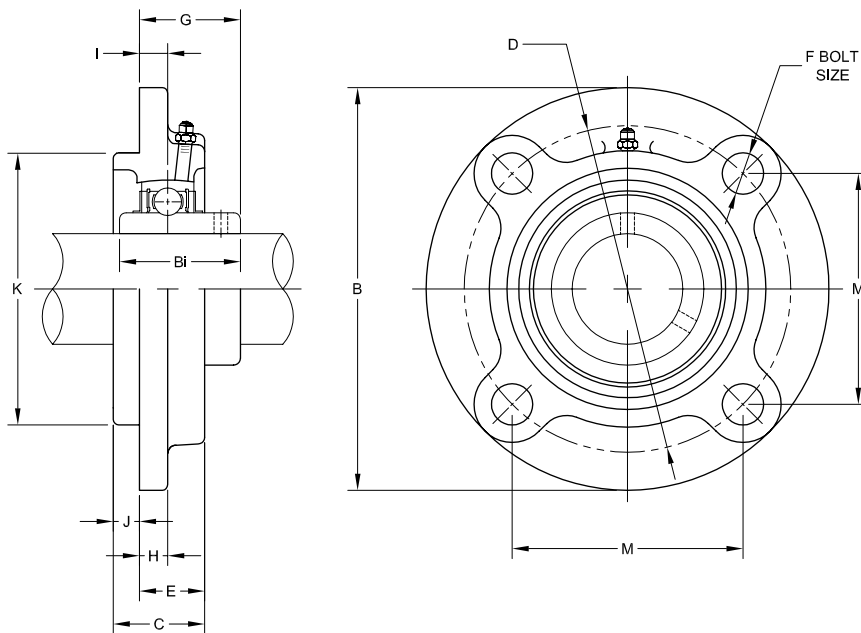
MOUNTED BALL BEARING PILOTED FLANGE CONTINUED

UCFC 200 Series—Normal Duty Set Screw Locking Collar

BALL BEARINGS

SHAFT SIZE	MOLINE PART #	UNIT #	DIMENSIONS (INCHES)					
			B	D	M	I	C	F
1 5/8	19431110	UCFC 209-26	6.299	5.197	3.673	.394	1.496	.630
1 11/16	19431111	UCFC 209-27						
1 3/4	19431112	UCFC 209-28						
1 7/8	19431114	UCFC 210-30	6.496	5.433	3.842	.394	1.575	.630
1 15/16	19431115	UCFC 210-31						
2	19431200-10	UCFC 210-32						
2	19431200	UCFC 211-32	7.283	5.905	4.177	.512	1.653	.748
2 1/8	19431202	UCFC 211-34						
2 3/16	19431203	UCFC 211-35						
2 1/4	19431204	UCFC 212-36	7.677	6.299	4.453	.669	1.890	.748
2 3/8	19431206	UCFC 212-38						
2 7/16	19431207	UCFC 212-39						
2 1/2	19431208	UCFC 213-40	8.071	6.693	4.732	.630	1.929	.748
2 3/4	19431212	UCFC 214-44	8.465	6.969	4.925	.669	2.126	.748
2 15/16	19431215	UCFC 215-47	8.661	7.244	5.122	.669	2.165	.748
3	19431300	UCFC 215-48						

For sale as complete units, inserts and housings.



MOUNTED BALL BEARING PILOTED FLANGE

SHAFT SIZE	DIMENSIONS (INCHES)						BOLT SIZE (INCHES)	INSERT #	HOUSING #	WEIGHT LBS.
	J	H	E	K	G	Bi				
1 5/8 1 11/16 1 3/4	.472	.394	1.023	4.1339	1.583	1.937	1/2	UC 209-26 UC 209-27 UC 209-28	FC209	5.95
1 7/8 1 15/16 2	.472	.551	1.102	4.3307	1.677	2.0315	1/2	UC 210-30 UC 210-31 UC 210-32	FC210	6.39
2 2 1/8 2 3/16	.472	.512	1.181	4.9213	1.827	2.189	5/8	UC 211-32 UC 211-34 UC 211-35	FC211	9.26
2 1/4 2 3/8 2 7/16	.472	.591	1.417	5.315	2.232	2.563	5/8	UC 212-36 UC 212-38 UC 212-39	FC212	10.89
2 1/2	.551	.591	1.378	5.709	2.193	2.563	5/8	UC 213-40	FC213	12.57
2 3/4	.551	.630	1.496	5.905	2.417	2.937	5/8	UC 214-44	FC214	14.99
2 15/16 3	.630	.669	1.535	6.2992	2.461	3.063	5/8	UC 215-47 UC 215-48	FC215	29.76

BALL BEARINGS



CAD drawings available upon request at no additional charge.

Furnished in non-expansion type only.

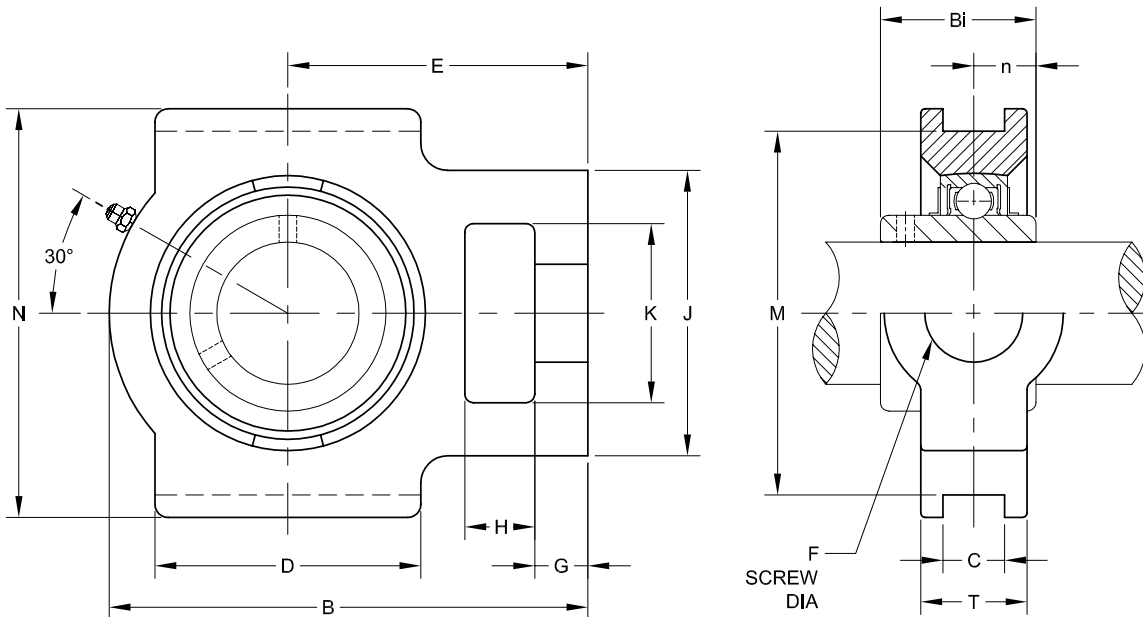
MOUNTED BALL BEARING WIDE SLOT TAKE-UP

UCT 200 Series—Normal Duty Set Screw Locking Collar

BALL BEARINGS

SHAFT SIZE	MOLINE PART #	UNIT #	DIMENSIONS (INCHES)							
			H	G	J	K	F	D	C	
1/2	19451008	UCT 201-08								
5/8	19451010	UCT 202-10	5/8	3/8	2	1 1/4	3/4	2	15/32	
3/4	19451012	UCT 204-12								
7/8	19451014	UCT 205-14								
15/16	19451015	UCT 205-15	5/8	3/8	2	1 1/4	7/8	2	15/32	
1	19451100	UCT 205-16								
1 1/8	19451102	UCT 206-18								
1 3/16	19451103	UCT 206-19	5/8	3/8	2 3/16	1 7/16	7/8	2 1/4	15/32	
1 1/4	19451104-06	UCT 206-20								
1 1/4	19451104	UCT 207-20								
1 5/16	19451105	UCT 207-21	5/8	1/2	2 1/2	1 7/16	7/8	2 1/2	15/32	
1 3/8	19451106	UCT 207-22								
1 7/16	19451107	UCT 207-23								
1 1/2	19451108	UCT 208-24	3/4	5/8	3 1/4	1 15/16	1 1/8	3 1/4	5/8	
1 9/16	19451109	UCT 208-25								

For sale as complete units, inserts and housings.



MOUNTED BALL BEARING WIDE SLOT TAKE-UP

BALL BEARINGS

SHAFT SIZE	DIMENSIONS (INCHES)							INSERT #	HOUSING #	WEIGHT LBS.
	M	N	B	T	E	Bi	n			
1/2 5/8 3/4	3	3 1/2	3 11/16	13/16	2 3/8	1.220	.550	UC 201-8 UC 202-10 UC 204-12	T204	1.85
7/8 15/16 1	3	3 1/2	3 13/16	15/16	2 7/16	1.339	.563	UC 205-14 UC 205-15 UC 205-16	T205	1.76
1 1/8 1 3/16 1 1/4	3 1/2	4	4 7/16	1 3/32	2 3/4	1.500	.626	UC 206-18 UC 206-19 UC 206-20	T206	2.42
1 1/4 1 5/16 1 3/8 1 7/16	3 1/2	4	5 1/16	1 3/16	3 1/16	1.689	.689	UC 207-20 UC 207-21 UC 207-22 UC 207-23	T207	3.53
1 1/2 1 9/16	4	4 1/2	5 11/16	1 5/16	3 1/2	1.937	.748	UC 208-24 UC 208-25	T208	5.51



CAD drawings available upon request at no additional charge.

Furnished in non-expansion type only.

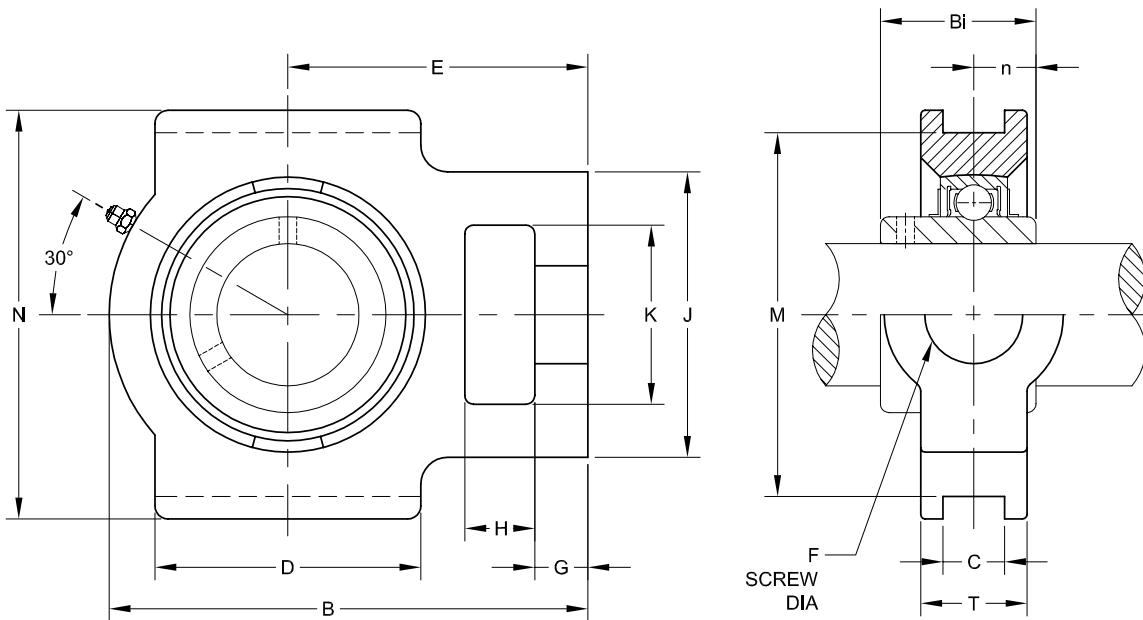
MOUNTED BALL BEARING WIDE SLOT TAKE-UP CONTINUED

UCT 200 Series—Normal Duty Set Screw Locking Collar

BALL BEARINGS

SHAFT SIZE	MOLINE PART #	UNIT #	DIMENSIONS (INCHES)						
			H	G	J	K	F	D	C
1 5/8	19451110	UCT 209-26	3/4	5/8	3 1/4	1 15/16	1 1/8	3 1/4	5/8
1 11/16	19451111	UCT 209-27							
1 3/4	19451112	UCT 209-28							
1 7/8	19451114	UCT 210-30	3/4	5/8	3 1/4	1 15/16	1 1/8	3 3/8	11/16
1 15/16	19451115	UCT 210-31							
2	19451200-10	UCT 210-32							
2	19451200	UCT 211-32	1	3/4	4	2 1/2	1 3/8	3 3/4	27/32
2 1/8	19451202	UCT 211-34							
2 3/16	19451203	UCT 211-35							
2 1/4	19451204	UCT 212-36	1 1/4	3/4	4	2 1/2	1 3/8	4	27/32
2 3/8	19451206	UCT 212-38							
2 7/16	19451207	UCT 212-39							
2 1/2	19451208	UCT 213-40	1 1/4	13/16	4 3/8	2 3/4	1 1/2	4 3/4	1 1/32
2 3/4	19451212	UCT 214-44							
2 15/16	19451215	UCT 215-47							
3	19451300	UCT 215-48	1 1/4	13/16	4 3/8	2 3/4	1 1/2	4 3/4	1 1/32

For sale as complete units, inserts and housings.



MOUNTED BALL BEARING WIDE SLOT TAKE-UP

SHAFT SIZE	DIMENSIONS (INCHES)							INSERT #	HOUSING #	WEIGHT LBS.
	M	N	B	T	E	Bi	n			
1 5/8 1 11/16 1 3/4	4	4 5/8	5 11/16	1 3/8	3 7/16	1.937	.748	UC 209-26 UC 209-27 UC 209-28	T209	5.29
1 7/8 1 15/16 2	4	4 5/8	5 7/8	1 15/32	3 9/16	2.031	.748	UC 210-30 UC 210-31 UC 210-32	T210	5.29
2 2 1/8 2 3/16	5 1/8	5 3/4	6 3/4	1 1/2	4 3/16	2.189	.874	UC 211-32 UC 211-34 UC 211-35	T211	9.04
2 1/4 2 3/8 2 7/16	5 1/8	5 3/4	7 5/8	1 21/32	4 11/16	2.563	1.000	UC 212-36 UC 212-38 UC 212-39	T212	11.02
2 1/2	5 15/16	6 9/16	8 13/16	1 3/4	5 3/8	2.563	1.000	UC 213-40	T213	15.43
2 3/4	5 15/16	6 9/16	8 13/16	1 13/16	5 3/8	2.937	1.189	UC 214-44	T214	15.65
2 15/16 3	5 15/16	6 9/16	9 1/8	1 7/8	5 1/2	3.062	1.311	UC 215-47 UC 215-48	T215	16.50

BALL BEARINGS



CAD drawings available upon request at no additional charge.

Furnished in non-expansion type only.

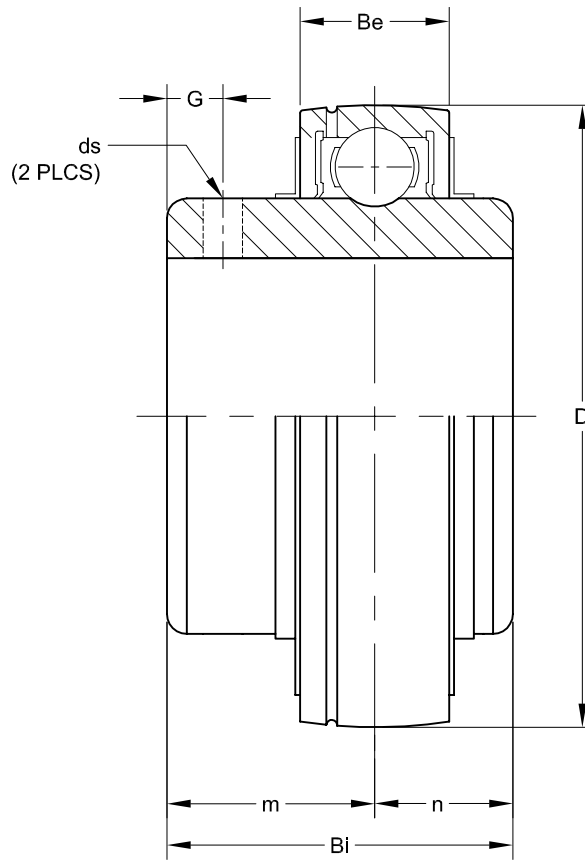
MOUNTED BALL BEARING UC 200 SERIES INSERT

BALL BEARINGS

SHAFT SIZE	MOLINE PART #	UNIT #	DIMENSIONS (INCHES)							WEIGHT LBS.
			D	Bi	Be	n	m	G	ds	
1/2	15400008	UC 201-8	1.8504	1.2205	.6299	.5	.7205	.185	1/4-28	.45
5/8	15400010	UC 202-10								
3/4	15400012	UC 204-12								
7/8	15400014	UC 205-14	2.0472	1.3386	.6693	.563	.7756	.2165	1/4-28	.42
15/16	15400015	UC 205-15								
1	15400100	UC 205-16								
1 1/8	15400102	UC 206-18	2.4409	1.50	.748	.626	.874	.2165	1/4-28	.68
1 3/16	15400103	UC 206-19								
1 1/4	15400104-06	UC 206-20								
1 1/4	15400104	UC 207-20	2.8346	1.689	.7874	.689	1.0	.2283	5/16-24	1.06
1 5/16	15400105	UC 207-21								
1 3/8	15400106	UC 207-22								
1 7/16	15400107	UC 207-23								
1 1/2	15400108	UC 208-24	3.1496	1.937	.8268	.748	1.189	.315	5/16-24	1.37
1 9/16	15400109	UC 208-25								
1 5/8	15400110	UC 209-26	3.3465	1.937	.8661	.748	1.189	.315	5/16-24	1.48
1 11/16	15400111	UC 209-27								
1 3/4	15400112	UC 209-28								
1 7/8	15400114	UC 210-30	3.5433	2.0315	.9055	.748	1.2835	.3543	3/8-24	1.72
1 15/16	15400115	UC 210-31								
2	15400200-10	UC 210-32								
2	15400200	UC 211-32	3.937	2.189	.9843	.874	1.315	.3543	3/8-24	2.27
2 1/8	15400202	UC 211-34								
2 3/16	15400203	UC 211-35								
2 1/4	15400204	UC 212-36	4.3307	2.563	1.063	1.00	1.563	.4134	3/8-24	3.20
2 3/8	15400206	UC 212-38								
2 7/16	15400207	UC 212-39								
2 1/2	15400208	UC 213-40	4.7244	2.563	1.1024	1.00	1.563	.4724	3/8-24	3.77
2 3/4	15400212	UC 214-44	4.9213	2.937	1.1811	1.189	1.748	.4724	1/2-20	4.54
2 15/16	15400215	UC 215-47	5.1181	3.063	1.1811	1.311	1.752	.4724	1/2-20	4.89
3	15400300	UC 215-48								
3 7/16	15400307	UC 218-55	6.299	3.78	1.457	1.563	2.217	.551	1/2-20	10.05



MOUNTED BALL BEARING UC 200 SERIES INSERT



BALL BEARINGS



CAD drawings available upon request at no additional charge.

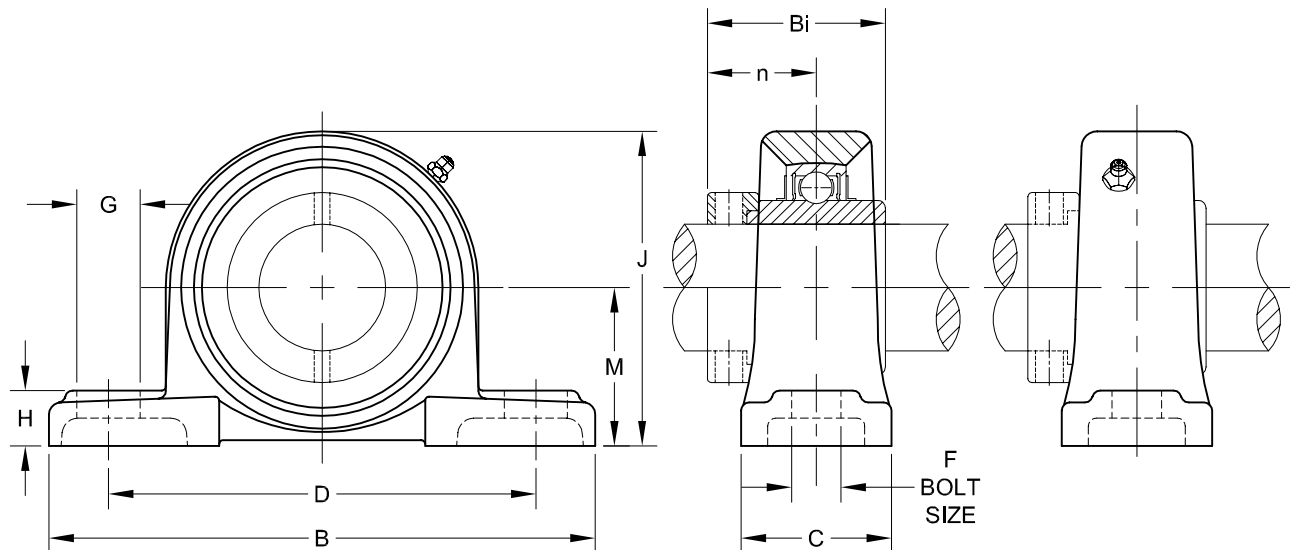
MOUNTED BALL BEARING 2-BOLT PILLOW BLOCK

HCP 200 Series—Normal Duty Eccentric Locking Collar

BALL BEARINGS

SHAFT SIZE	MOLINE PART #	UNIT #	DIMENSIONS (INCHES)					
			M	B	D	C	F	G
3/4	19521012	HCP 204-12	1 5/16	5	3.779	1.456	1/2	.630
7/8	19521014	HCP 205-14	1 7/16	5 1/2	4 1/8	1 1/2	1/2	3/4
15/16	19521015	HCP 205-15						
1	19521100	HCP 205-16						
1 1/8	19521102	HCP 206-18	1 11/16	6.30	4 3/4	1.732	.551	3/4
1 3/16	19521103	HCP 206-19						
1 1/4	19521104-06	HCP 206-20						
1 1/4	19521104	HCP 207-20	1 7/8	6.575	5	1 7/8	.590	3/4
1 5/16	19521105	HCP 207-21						
1 3/8	19521106	HCP 207-22						
1 7/16	19521107	HCP 207-23						
1 1/2	19521108	HCP 208-24	1 15/16	7.09	5.354	2.047	.590	13/16
1 9/16	19521109	HCP 208-25						
1 5/8	19521110	HCP 209-26	2 1/8	7.44	5 3/4	2 1/8	.590	13/16
1 11/16	19521111	HCP 209-27						
1 3/4	19521112	HCP 209-28						

For sale as complete units, inserts and housings.



MOUNTED BALL BEARING 2-BOLT PILLOW BLOCK

SHAFT SIZE					BOLT SIZE (INCHES)	INSERT #	HOUSING #	WEIGHT LBS.
	H	J	Bi	n				
3/4	.551	2.511	1.713	0.669	3/8	HC 204-12	P204	1.59
7/8 15/16 1	.590	2.736	1.744	0.685	3/8	HC 205-14 HC 205-15 HC 205-16	P205	1.76
1 1/8 1 3/16 1 1/4	.630	3.228	1.901	0.626	1/2	HC 206-18 HC 206-19 HC 206-20	P206	2.98
1 1/4 1 5/16 1 3/8 1 7/16	.669	3.622	2.012	0.740	1/2	HC 207-20 HC 207-21 HC 207-22 HC 207-23	P207	3.75
1 1/2 1 9/16	.709	3.858	2.216	0.842	1/2	HC 208-24 HC 208-25	P208	4.41
1 5/8 1 11/16 1 3/4	.787	4.153	2.216	0.842	1/2	HC 209-26 HC 209-27 HC 209-28	P209	5.34

BALL BEARINGS



CAD drawings available upon request at no additional charge.

Furnished in non-expansion type only.

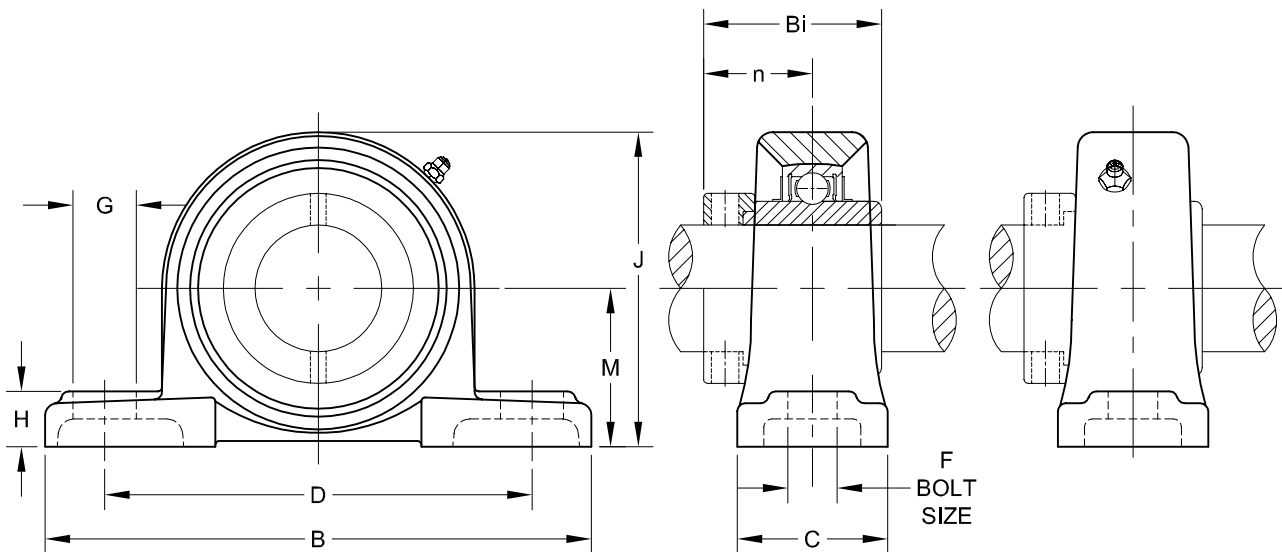
MOUNTED BALL BEARING 2-BOLT PILLOW BLOCK CONTINUED

HCP 200 Series—Normal Duty Eccentric Locking Collar

BALL BEARINGS

SHAFT SIZE	MOLINE PART #	UNIT #	DIMENSIONS (INCHES)					
			M	B	D	C	F	G
1 7/8 1 15/16 2	19521114 19521115 19521200-10	HCP 210-30 HCP 210-31 HCP 210-32	2 1/4	8.031	6 1/4	2.244	3/4	.866
2 2 1/8 2 3/16	19521200 19521202 19521203	HCP 211-32 HCP 211-34 HCP 211-35	2 1/2	8.543	6.771	2 3/8	3/4	.866
2 1/4 2 3/8 2 7/16	19521204 19521206 19521207	HCP 212-36 HCP 212-38 HCP 212-39	2 3/4	9.370	7.323	2.598	3/4	.984
2 1/2	19521208	HCP 213-40	3	10.315	8	2 3/4	3/4	1.142
2 3/4	19521212	HCP 214-44	3 1/8	10.472	8.268	2.834	3/4	1.142
2 15/16 3	19521215 19521300	HCP 215-47 HCP 215-48	3 1/4	10.787	8.543	2.913	3/4	1.142

For sale as complete units, inserts and housings.



MOUNTED BALL BEARING 2-BOLT PILLOW BLOCK

SHAFT SIZE	DIMENSIONS (INCHES)				BOLT SIZE (INCHES)	INSERT #	HOUSING #	WEIGHT LBS.
	H	J	Bi	n				
1 7/8 1 15/16 2	.827	4.417	2.468	0.968	5/8	HC 210-30 HC 210-31 HC 210-32	P210	6.06
2 2 1/8 2 3/16	.866	4.901	2.807	1.090	5/8	HC 211-32 HC 211-34 HC 211-35	P211	7.85
2 1/4 2 3/8 2 7/16	.945	5.394	3.059	1.216	5/8	HC 212-36 HC 212-38 HC 212-39	P212	11.46
2 1/2	1.023	5.866	3.374	1.342	3/4	HC 213-40	P213	13.89
2 3/4	1.063	6.102	3.374	1.342	3/4	HC 214-44	P214	15.43
2 15/16 3	1.102	6.363	3.626	1.468	3/4	HC 215-47 HC 215-48	P215	17.20

BALL BEARINGS



CAD drawings available upon request at no additional charge.

Furnished in non-expansion type only.

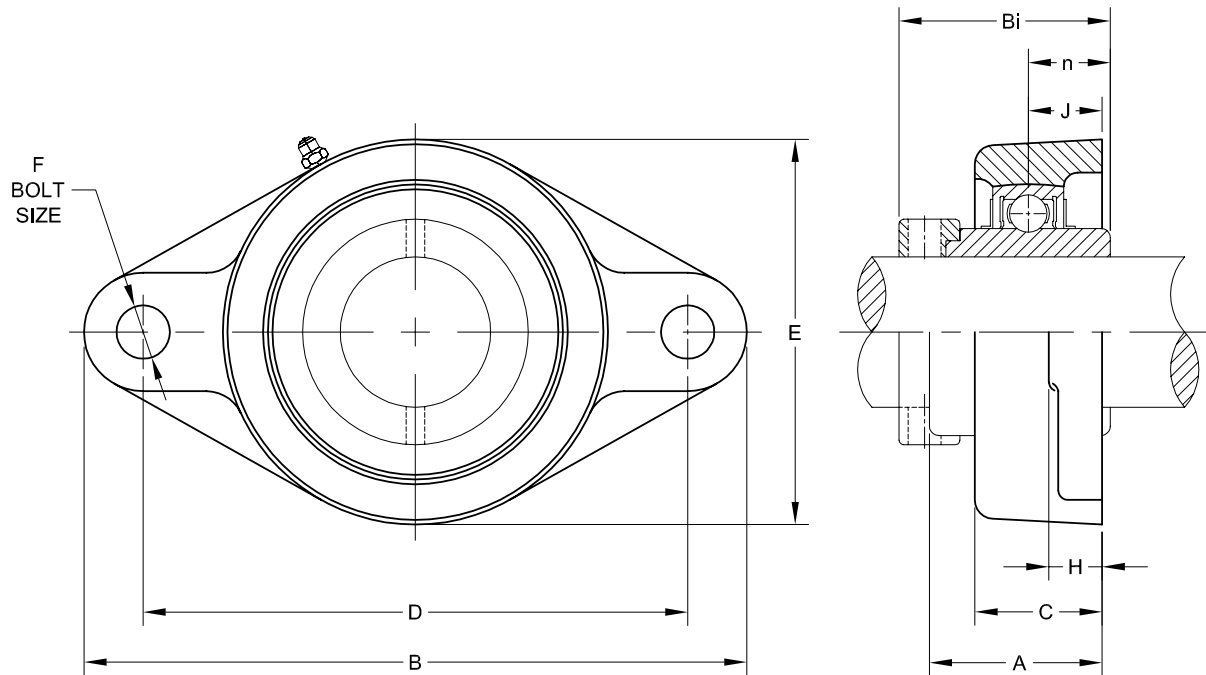
MOUNTED BALL BEARING 2-BOLT FLANGE

HCFL 200 Series—Normal Duty Eccentric Locking Collar

BALL BEARINGS

SHAFT SIZE	MOLINE PART #	UNIT #	DIMENSIONS (INCHES)					
			B	D	J	H	C	F
3/4	19501012	HCFL 204-12	4.489	3.543	.591	.433	1	.452
7/8	19501014	HCFL 205-14	5.118	3.898	.630	.512	1.062	.452
15/16	19501015	HCFL 205-15						
1	19501100	HCFL 205-16						
1 1/8	19501102	HCFL 206-18	5.827	4.606	.709	.512	1.220	.452
1 3/16	19501103	HCFL 206-19						
1 1/4	19501104-06	HCFL 206-20						
1 1/4	19501104	HCFL 207-20	6.338	5.118	.748	.551	1.338	.551
1 5/16	19501105	HCFL 207-21						
1 3/8	19501106	HCFL 207-22						
1 7/16	19501107	HCFL 207-23						
1 1/2	19501108	HCFL 208-24	6.890	5.669	.827	.551	1.417	.551
1 9/16	19501109	HCFL 208-25						
1 5/8	19501110	HCFL 209-26	7.401	5.827	.866	.630	1.496	.709
1 11/16	19501111	HCFL 209-27						
1 3/4	19501112	HCFL 209-28						

For sale as complete units, inserts and housings.



MOUNTED BALL BEARING 2-BOLT FLANGE

SHAFT SIZE					BOLT SIZE (INCHES)	INSERT #	HOUSING #	WEIGHT LBS.
	E	A	Bi	n				
3/4	2.362	1.311	1.634	.669	3/8	HC 204-12	FL204	1.54
7/8 15/16 1	2.677	1.406	1.689	.685	3/8	HC 205-14 HC 205-15 HC 205-16	FL205	1.76
1 1/8 1 3/16 1 1/4	3 1/8	1.583	1.894	.716	3/8	HC 206-18 HC 206-19 HC 206-20	FL206	2.64
1 1/4 1 5/16 1 3/8 1 7/16	3 9/16	1.748	2.020	.740	1/2	HC 207-20 HC 207-21 HC 207-22 HC 207-23	FL207	3.53
1 1/2 1 9/16	3 15/16	2.016	2.201	.842	1/2	HC 208-24 HC 208-25	FL208	4.19
1 5/8 1 11/16 1 3/4	4 1/4	2.055	2.240	.842	5/8	HC 209-26 HC 209-27 HC 209-28	FL209	5.07

BALL BEARINGS



CAD drawings available upon request at no additional charge.

Furnished in non-expansion type only.

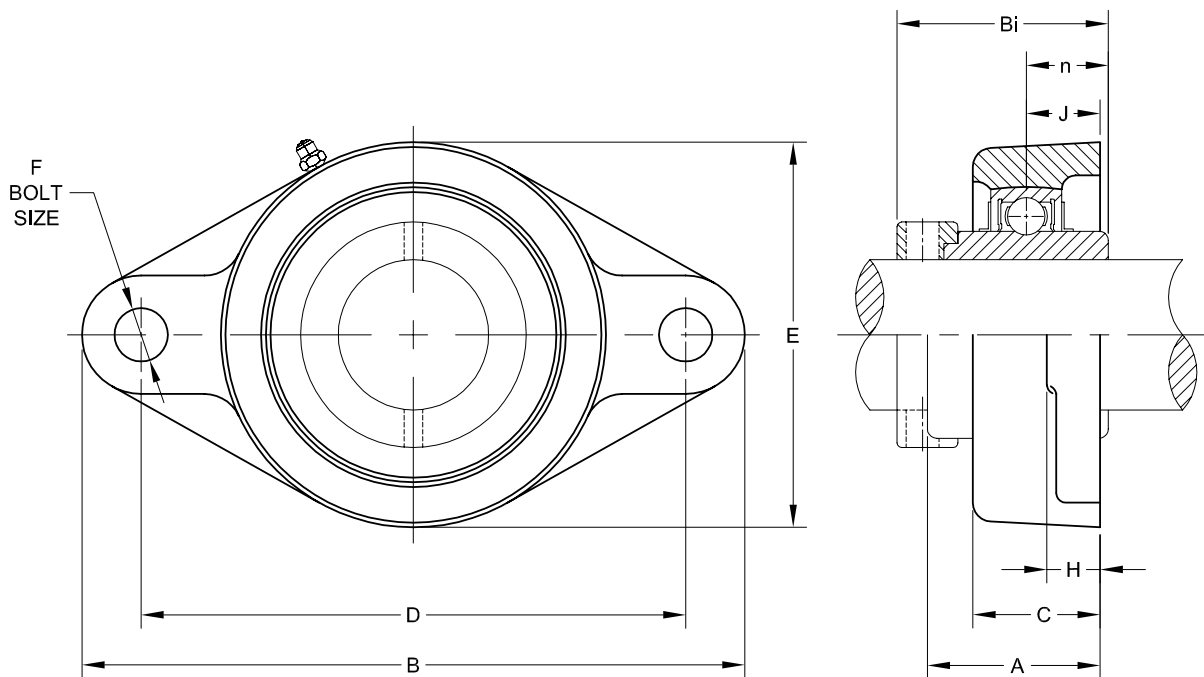
MOUNTED BALL BEARING 2-BOLT FLANGE CONTINUED

HCFL 200 Series—Normal Duty Eccentric Locking Collar

BALL BEARINGS

SHAFT SIZE	MOLINE PART #	UNIT #	DIMENSIONS (INCHES)					
			B	D	J	H	C	F
1 7/8	19501114	HCFL 210-30	7.756	6.181	.866	.630	1.575	.709
1 15/16	19501115	HCFL 210-31						
2	19501200-10	HCFL 210-32						
2	19501200	HCFL 211-32	8.819	7.244	.984	.709	1.693	.709
2 1/8	19501202	HCFL 211-34						
2 3/16	19501203	HCFL 211-35						
2 1/4	19501204	HCFL 212-36	9.842	7.953	1.142	.709	1.890	.709
2 3/8	19501206	HCFL 212-38						
2 7/16	19501207	HCFL 212-39						
2 1/2	19501208	HCFL 213-40	10.157	8.268	1.181	.787	1.968	.905
2 3/4	19501212	HCFL 214-44	10.433	8.504	1.22	.787	2.126	.905
2 15/16	19501215	HCFL 215-47	10.827	8.858	1.339	.866	2.165	.905
3	19501300	HCFL 215-48						

For sale as complete units, inserts and housings.



MOUNTED BALL BEARING 2-BOLT FLANGE

SHAFT SIZE					BOLT SIZE (INCHES)	INSERT #	HOUSING #	WEIGHT LBS.
	E	A	Bi	n				
1 7/8 1 15/16 2	4 1/2	2.150	2.366	.969	5/8	HC 210-30 HC 210-31 HC 210-32	FL210	5.73
2 2 1/8 2 3/16	5 1/8	2.299	2.701	1.091	5/8	HC 211-32 HC 211-34 HC 211-35	FL211	8.38
2 1/4 2 3/8 2 7/16	5 1/2	2.705	2.984	1.216	5/8	HC 212-36 HC 212-38 HC 212-39	FL212	10.58
2 1/2	6 1/8	2.744	3.213	1.342	3/4	HC 213-40	FL213	13.23
2 3/4	6 5/16	2.969	3.252	1.342	3/4	HC 214-44	FL214	13.89
2 15/16 3	6 1/2	3.091	3.496	1.468	3/4	HC 215-47 HC 215-48	FL215	15.87

BALL BEARINGS



CAD drawings available upon request at no additional charge.

Furnished in non-expansion type only.

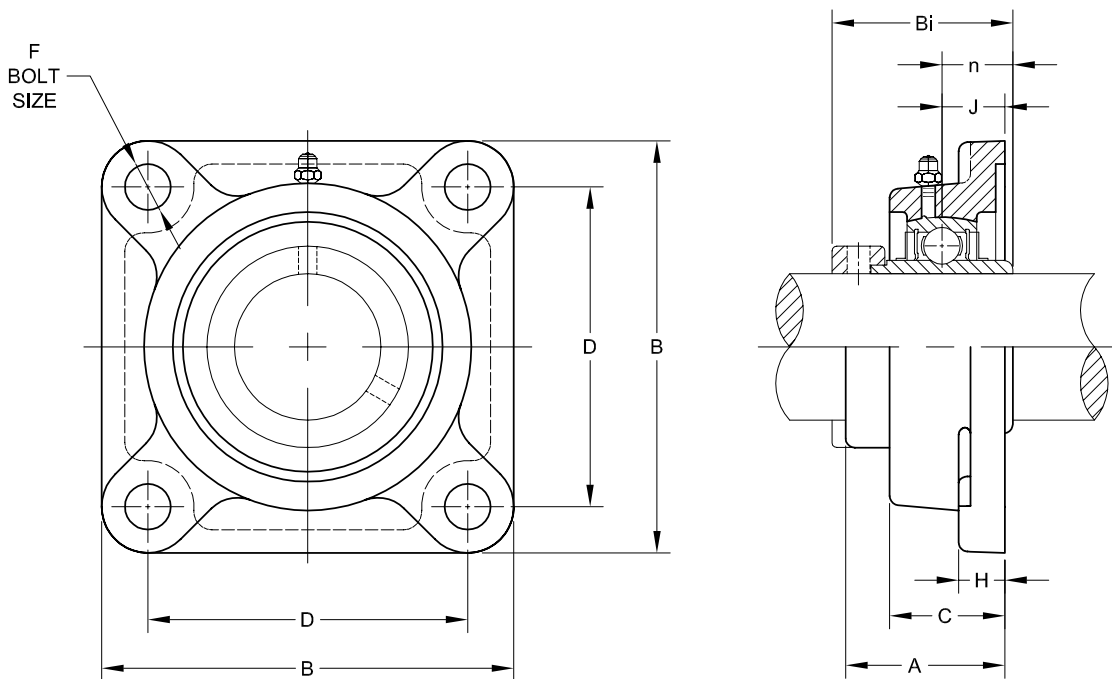
MOUNTED BALL BEARING 4-BOLT FLANGE

HCF 200 Series—Normal Duty Eccentric Locking Collar

BALL BEARINGS

SHAFT SIZE	MOLINE PART #	UNIT #	DIMENSIONS (INCHES)					
			B	D	J	H	C	F
3/4	19511012	HCF 204-12	3.386	2.520	0.591	.433	1	.453
7/8	19511014	HCF 205-14	3 3/4	2 3/4	.630	.512	1.063	.453
1 5/16	19511015	HCF 205-15						
1	19511100	HCF 205-16						
1 1/8	19511102	HCF 206-18	4 1/4	3.267	.709	.512	1.220	.453
1 3/16	19511103	HCF 206-19						
1 1/4	19511104-06	HCF 206-20						
1 1/4	19511104	HCF 207-20	4.606	3.622	.748	.591	1.339	.551
1 5/16	19511105	HCF 207-21						
1 3/8	19511106	HCF 207-22						
1 7/16	19511107	HCF 207-23						
1 1/2	19511108	HCF 208-24	5.118	4.016	.827	.591	1.417	.551
1 9/16	19511109	HCF 208-25						
1 5/8	19511110	HCF 209-26	5.394	4.134	.866	.630	1.496	.630
1 11/16	19511111	HCF 209-27						
1 3/4	19511112	HCF 209-28						

For sale as complete units, inserts and housings.



MOUNTED BALL BEARING 4-BOLT FLANGE

SHAFT SIZE	DIMENSIONS (INCHES)			BOLT SIZE (INCHES)	INSERT #	HOUSING #	WEIGHT LBS.
	A	Bi	n				
3/4	1.311	1.634	.669	3/8	HC 204-12	F204	1.39
7/8 15/16 1	1.406	1.689	.685	3/8	HC 205-14 HC 205-15 HC 205-16	F205	1.76
1 1/8 1 3/16 1 1/4	1.583	1.894	.716	3/8	HC 206-18 HC 206-19 HC 206-20	F206	2.64
1 1/4 1 5/16 1 3/8 1 7/16	1.748	2.020	.740	1/2	HC 207-20 HC 207-21 HC 207-22 HC 207-23	F207	3.53
1 1/2 1 9/16	2.016	2.201	.842	1/2	HC 208-24 HC 208-25	F208	4.19
1 5/8 1 11/16 1 3/4	2.055	2.240	.842	1/2	HC 209-26 HC 209-27 HC 209-28	F209	5.07

BALL BEARINGS



CAD drawings available upon request at no additional charge.

Furnished in non-expansion type only.

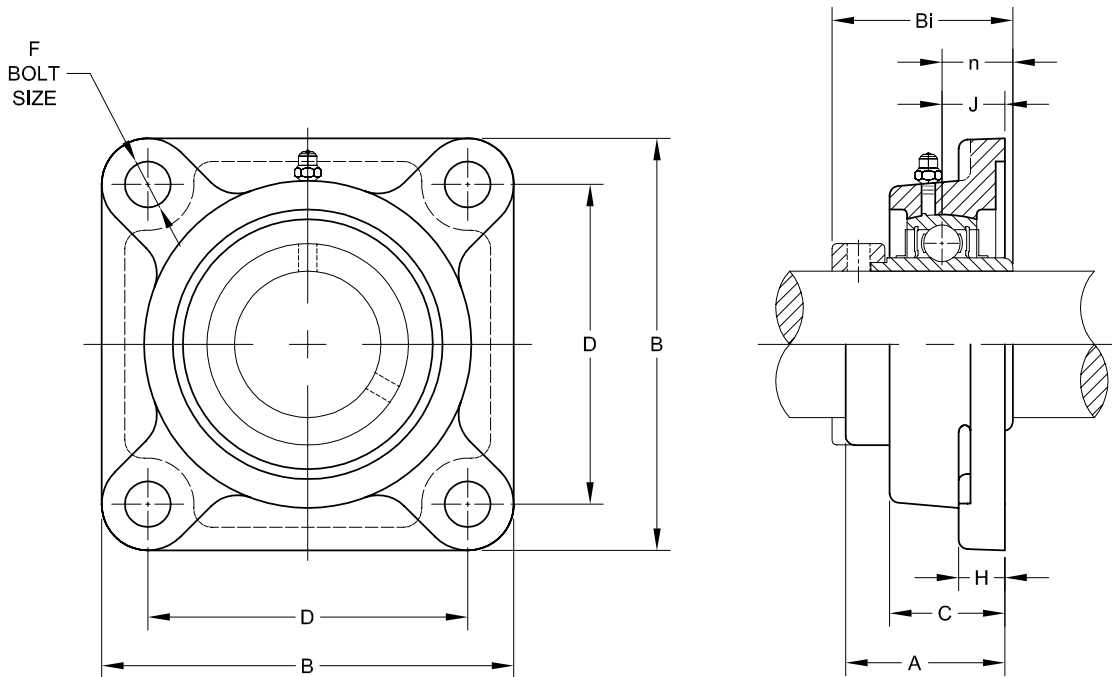
MOUNTED BALL BEARING 4-BOLT FLANGE CONTINUED

HCF 200 Series—Normal Duty Eccentric Locking Collar

BALL BEARINGS

SHAFT SIZE	MOLINE PART #	UNIT #	DIMENSIONS (INCHES)					
			B	D	J	H	C	F
1 7/8	19511114	HCF 210-30	5.630	4.370	.866	.630	1.574	.709
1 15/16	19511115	HCF 210-31						
2	19511200-10	HCF 210-32						
2	19511200	HCF 211-32	6.378	5.118	.984	.709	1.693	.709
2 1/8	19511202	HCF 211-34						
2 3/16	19511203	HCF 211-35						
2 1/4	19511204	HCF 212-36	6.890	5.630	1.142	.709	1.890	.709
2 3/8	19511206	HCF 212-38						
2 7/16	19511207	HCF 212-39						
2 1/2	19511208	HCF 213-40	7.362	5.866	1.181	.866	1.968	.709
2 3/4	19511212	HCF 214-44	7.598	5.984	1.220	.866	2.125	.709
2 15/16	19511215	HCF 215-47	7-7/8	6.259	1.339	.866	2.205	.709
3	19511300	HCF 215-48						

For sale as complete units, inserts and housings.



MOUNTED BALL BEARING 4-BOLT FLANGE

SHAFT SIZE	DIMENSIONS (INCHES)			BOLT SIZE (INCHES)	INSERT #	HOUSING #	WEIGHT LBS.
	A	Bi	n				
1 7/8 1 15/16 2	2.150	2.366	.969	1/2	HC 210-30 HC 210-31 HC 210-32	F210	5.73
2 2 1/8 2 3/16	2.299	2.701	1.091	5/8	HC 211-32 HC 211-34 HC 211-35	F211	8.38
2 1/4 2 3/8 2 7/16	2.705	2.984	1.216	5/8	HC 212-36 HC 212-38 HC 212-39	F212	10.58
2 1/2	2.744	3.213	1.342	5/8	HC 213-40	F213	13.23
2 3/4	2.969	3.252	1.342	5/8	HC 214-44	F214	13.89
2 15/16 3	3.091	3.496	1.468	5/8	HC 215-47 HC 215-48	F215	15.87

BALL BEARINGS



CAD drawings available upon request at no additional charge.

Furnished in non-expansion type only.

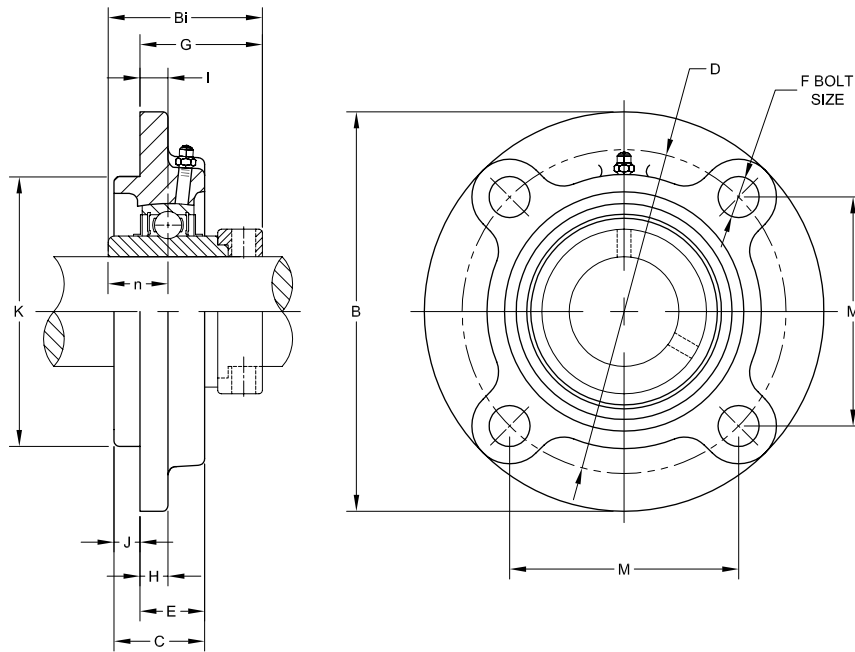
MOUNTED BALL BEARING PILOTED FLANGE

HCFC 200 Series—Normal Duty Eccentric Locking Collar

BALL BEARINGS

SHAFT SIZE	MOLINE PART #	UNIT #	SHAFT SIZE	DIMENSIONS (INCHES)					
				B	D	M	E	C	F
3/4	19531012	HCFC 204-12	3/4	3 15/16	3.701	2.169	.394	1	.453
7/8	19531014	HCFC 205-14	7/8	4.527	3.543	2.504	.394	1.063	.472
1 1/16	19531015	HCFC 205-15	1 1/16						
1	19531100	HCFC 205-16	1						
1 1/8	19531102	HCFC 206-18	1 1/8	4.921	3.937	2.783	.394	1.220	.472
1 3/16	19531103	HCFC 206-19	1 3/16						
1 1/4	19531104-06	HCFC 206-20	1 1/4						
1 1/4	19531104	HCFC 207-20	1 1/4	5.315	4.331	3.063	.433	1.338	.551
1 5/16	19531105	HCFC 207-21	1 5/16						
1 3/8	19531106	HCFC 207-22	1 3/8						
1 7/16	19531107	HCFC 207-23	1 7/16						
1 1/2	19531108	HCFC 208-24	1 1/2	5.709	4.724	3.338	.433	1.417	.551
1 9/16	19531109	HCFC 208-25	1 9/16						
1 5/8	19531110	HCFC 209-26	1 5/8	6.299	5.197	3.673	.394	1.496	.630
1 11/16	19531111	HCFC 209-27	1 11/16						
1 3/4	19531112	HCFC 209-28	1 3/4						

For sale as complete units, inserts and housings.



MOUNTED BALL BEARING PILOTED FLANGE

SHAFT SIZE	DIMENSIONS (INCHES)							BOLT SIZE (IN)	INSERT #	HOUSING #	WEIGHT LBS.
	J	H	I	K	G	Bi	n				
3/4	.197	.236	.807	2.4409	1.437	1.712	.6693	3/8	HC 204-12	FC204	1.68
7/8 15/16 1	.236	.275	.827	2.7559	1.453	1.744	.685	3/8	HC 205-14 HC 205-15 HC 205-16	FC205	2.12
1 1/8 1 3/16 1 1/4	.315	.315	.905	3.1496	1.580	1.901	.7165	3/8	HC 206-18 HC 206-19 HC 206-20	FC206	3.02
1 1/4 1 5/16 1 3/8 1 7/16	.315	.354	1.023	3.5433	1.705	2.012	.7402	7/16	HC 207-20 HC 207-21 HC 207-22 HC 207-23	FC207	3.75
1 1/2 1 9/16	.394	.354	1.023	3.937	1.807	2.216	.8425	7/16	HC 208-24 HC 208-25	FC208	4.41
1 5/8 1 11/16 1 3/4	.472	.394	1.023	4.1339	1.768	2.216	.8425	1/2	HC 209-26 HC 209-27 HC 209-28	FC209	5.95

BALL BEARINGS



CAD drawings available upon request at no additional charge.

Furnished in non-expansion type only.

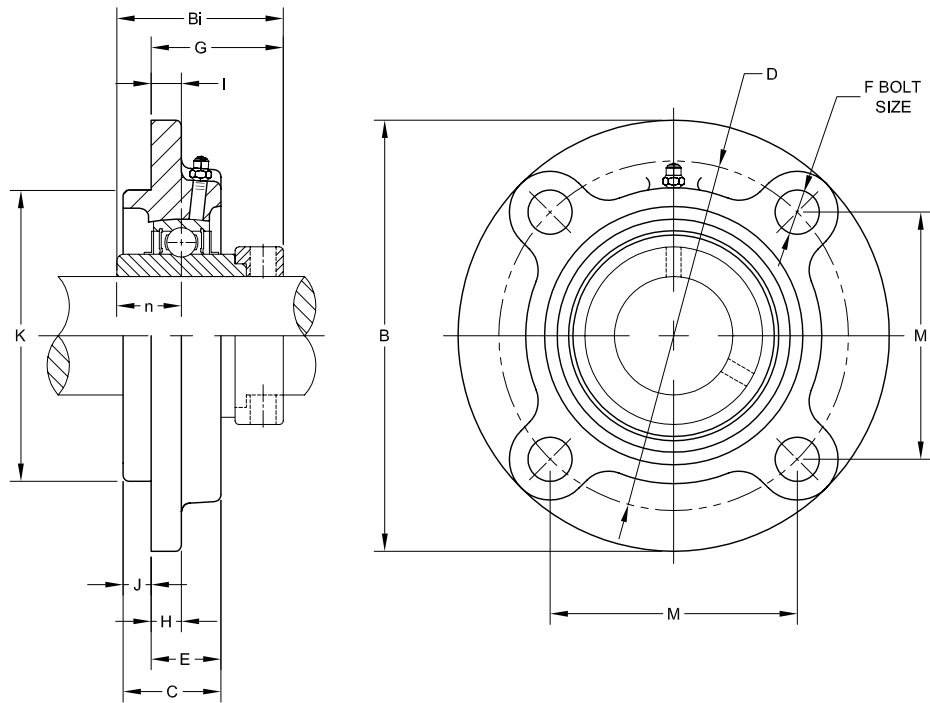
MOUNTED BALL BEARING PILOTED FLANGE CONTINUED

HCFC 200 Series—Normal Duty Eccentric Locking Collar

BALL BEARINGS

SHAFT SIZE	MOLINE PART #	UNIT #	SHAFT SIZE	DIMENSIONS (INCHES)					
				B	D	M	E	C	F
1 7/8	19531114	HCFC 210-30	1 7/8						
1 15/16	19531115	HCFC 210-31	1 15/16	6.496	5.433	3.842	.394	1.575	.630
2	19531200-10	HCFC 210-32	2						
2	19531200	HCFC 211-32	2						
2 1/8	19531202	HCFC 211-34	2 1/8	7.283	5.905	4.177	.512	1.653	.748
2 3/16	19531203	HCFC 211-35	2 3/16						
2 1/4	19531204	HCFC 212-36	2 1/4						
2 3/8	19531206	HCFC 212-38	2 3/8	7.677	6.299	4.453	.669	1.890	.748
2 7/16	19531207	HCFC 212-39	2 7/16						
2 1/2	19531208	HCFC 213-40	2 1/2	8.071	6.693	4.732	.630	1.929	.748
2 3/4	19531212	HCFC 214-44	2 3/4	8.465	6.969	4.925	.669	2.126	.748
2 15/16	19531215	HCFC 215-47	2 15/16	8.661	7.244	5.122	.669	2.165	.748
3	19531300	HCFC 215-48	3						

For sale as complete units, inserts and housings.



MOUNTED BALL BEARING PILOTED FLANGE

SHAFT SIZE	DIMENSIONS (INCHES)							BOLT SIZE (IN)	INSERT #	HOUSING #	WEIGHT LBS.
	J	H	I	K	G	Bi	n				
1 7/8 1 15/16 2	.472	.551	1.102	4.3307	1.894	2.468	.9685	1/2	HC 210-30 HC 210-31 HC 210-32	FC210	6.39
2 2 1/8 2 3/16	.472	.512	1.181	4.9213	2.228	2.811	1.0906	5/8	HC 211-32 HC 211-34 HC 211-35	FC211	9.26
2 1/4 2 3/8 2 7/16	.472	.591	1.417	5.315	2.512	3.063	1.2165	5/8	HC 212-36 HC 212-38 HC 212-39	FC212	10.89
2 1/2	.551	.591	1.378	5.709	2.661	3.374	1.3425	5/8	HC 213-40	FC213	12.57
2 3/4	.551	.630	1.496	5.905	2.701	3.374	1.342	5/8	HC 214-44	FC214	14.99
2 15/16 3	.630	.669	1.535	6.2992	2.866	3.626	1.4685	5/8	HC 215-47 HC 215-48	FC215	29.76

BALL BEARINGS



CAD drawings available upon request at no additional charge.

Furnished in non-expansion type only.



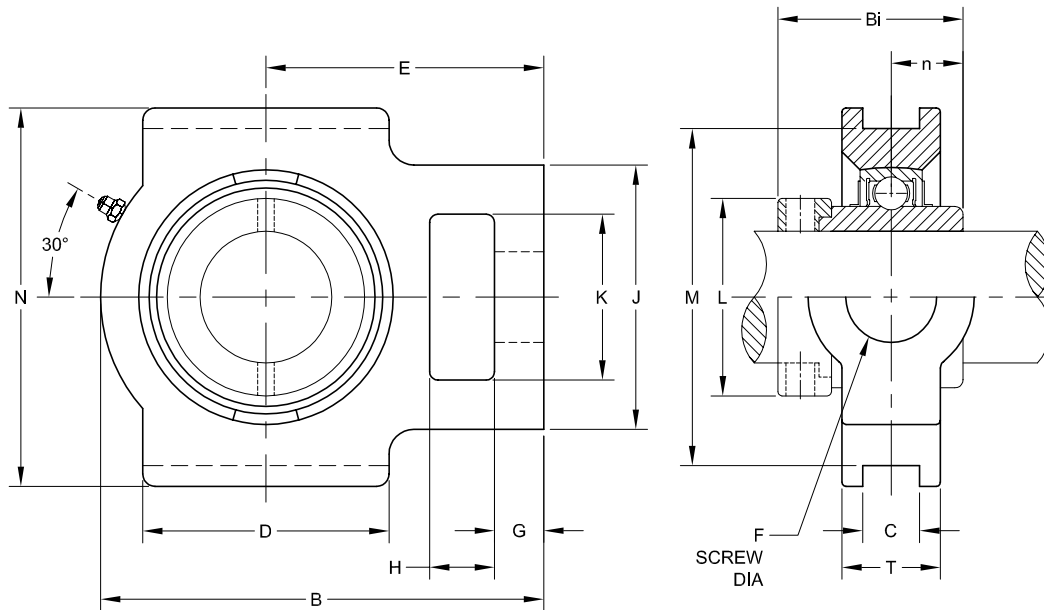
MOUNTED BALL BEARING WIDE SLOT TAKE-UP

HCT 200 Series—Normal Duty Eccentric Locking Collar

BALL BEARINGS

SHAFT SIZE	MOLINE PART #	UNIT #	DIMENSIONS (INCHES)						
			H	G	J	K	F	D	C
3/4	19551012	HCT 204-12	5/8	3/8	2	1 1/4	3/4	2	15/32
7/8	19551014	HCT 205-14	5/8	3/8	2	1 1/4	7/8	2	15/32
1 1/16	19551015	HCT 205-15							
1	19551100	HCT 205-16							
1 1/8	19551102	HCT 206-18	5/8	3/8	2 3/16	1 7/16	7/8	2 1/4	15/32
1 3/16	19551103	HCT 206-19							
1 1/4	19551104-06	HCT 206-20							
1 1/4	19551104	HCT 207-20	5/8	1/2	2 1/2	1 7/16	7/8	2 1/2	15/32
1 5/16	19551105	HCT 207-21							
1 3/8	19551106	HCT 207-22							
1 7/16	19551107	HCT 207-23							
1 1/2	19551108	HCT 208-24	3/4	5/8	3 1/4	1 15/16	1 1/8	3 1/4	5/8
1 9/16	19551109	HCT 208-25							
1 5/8	19551110	HCT 209-26	3/4	5/8	3 1/4	1 15/16	1 1/8	3 1/4	5/8
1 11/16	19551111	HCT 209-27							
1 3/4	19551112	HCT 209-28							

For sale as complete units, inserts and housings.



MOUNTED BALL BEARING WIDE SLOT TAKE-UP

BALL BEARINGS

SHAFT SIZE	DIMENSIONS (INCHES)								INSERT #	HOUSING #	WEIGHT LBS.
	L	M	N	B	T	E	Bi	n			
3/4	1.311	3	3 1/2	3 1/16	1 3/16	2 3/8	1.712	.669	HC 204-12	T204	1.85
7/8 15/16 1	1.50	3	3 1/2	3 13/16	1 5/16	2 7/16	1.744	.685	HC 205-14 HC 205-15 HC 205-16	T205	2.03
1 1/8 1 3/16 1 1/4	1.752	3 1/2	4	4 7/16	1 3/32	2 3/4	1.901	.716	HC 206-18 HC 206-19 HC 206-20	T206	3.06
1 1/4 1 5/16 1 3/8 1 7/16	2.189	3 1/2	4	5 1/16	1 3/16	3 1/16	2.012	.740	HC 207-20 HC 207-21 HC 207-22 HC 207-23	T207	4.03
1 1/2 1 9/16	2.374	4	4 1/2	5 1/16	1 5/16	3 1/2	2.216	.842	HC 208-24 HC 208-25	T208	5.82
1 5/8 1 11/16 1 3/4	2.752	4	4 5/8	5 1/16	1 3/8	3 7/16	2.216	.842	HC 209-26 HC 209-27 HC 209-28	T209	5.89



CAD drawings available upon request at no additional charge.

Furnished in non-expansion type only.

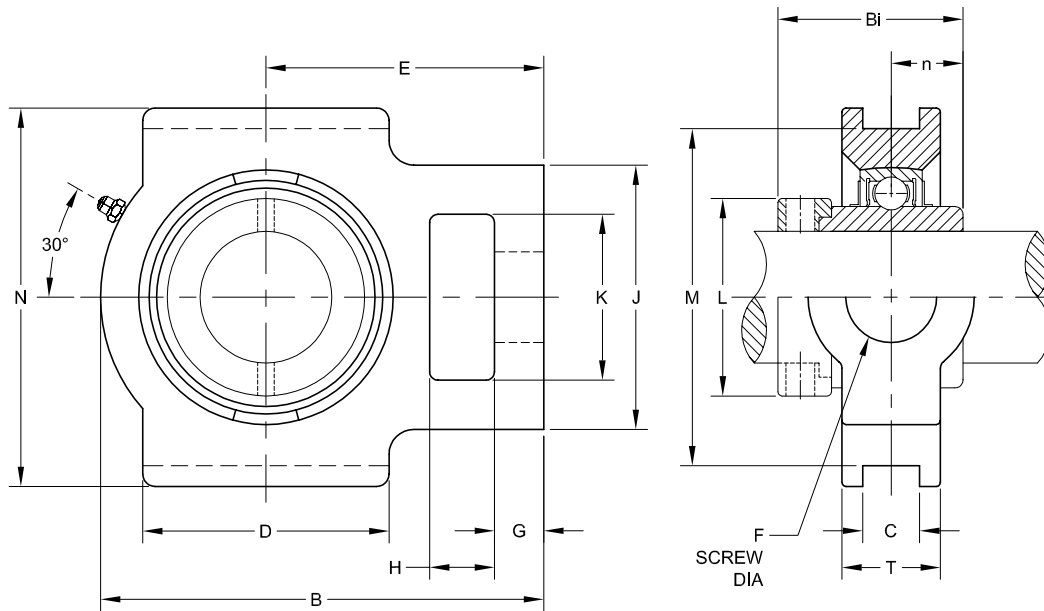
MOUNTED BALL BEARING WIDE SLOT TAKE-UP CONTINUED

HCT 200 Series—Normal Duty Eccentric Locking Collar

BALL BEARINGS

SHAFT SIZE	MOLINE PART #	UNIT #	DIMENSIONS (INCHES)						
			H	G	J	K	F	D	C
1 7/8 1 15/16 2	19551114 19551115 19551200-10	HCT 210-30 HCT 210-31 HCT 210-32	3/4	5/8	3 1/4	1 15/16	1 1/8	3 3/8	1 1/16
2 2 1/8 2 3/16	19551200 19551202 19551203	HCT 211-32 HCT 211-34 HCT 211-35	1	3/4	4	2 1/2	1 3/8	3 3/4	27/32
2 1/4 2 3/8 2 7/16	19551204 19551206 19551207	HCT 212-36 HCT 212-38 HCT 212-39	1 1/4	3/4	4	2 1/2	1 3/8	4	27/32
2 1/2	19551208	HCT 213-40	1 1/4	13/16	4 3/8	2 3/4	1 1/2	4 3/4	1 1/32
2 3/4	19551212	HCT 214-44	1 5/16	13/16	4 3/8	2 3/4	1 1/2	4 3/4	1 1/32
2 15/16 3	19551215 19551300	HCT 215-47 HCT 215-48	1 1/4	13/16	4 3/8	2 3/4	1 1/2	4 3/4	1 1/32

For sale as complete units, inserts and housings.



MOUNTED BALL BEARING WIDE SLOT TAKE-UP CONTINUED

SHAFT SIZE	DIMENSIONS (INCHES)								INSERT #	HOUSING #	WEIGHT LBS.
	L	M	N	B	T	E	Bi	n			
1 7/8 1 15/16 2	2.752	4	4 5/8	5 7/8	1 15/32	3 9/16	2.468	.968	HC 210-30 HC 210-31 HC 210-32	T210	6.19
2 2 1/8 2 3/16	3.0	5 1/8	5 3/4	6 3/4	1 1/2	4 3/16	2.807	1.090	HC 211-32 HC 211-34 HC 211-35	T211	9.41
2 1/4 2 3/8 2 7/16	3.315	5 1/8	5 3/4	7 5/8	1 21/32	4 11/16	3.059	1.216	HC 212-36 HC 212-38 HC 212-39	T212	11.60
2 1/2	3.3858	5 15/16	6 9/16	8 13/16	1 3/4	5 3/8	3.374	1.342	HC 213-40	T213	16.64
2 3/4	3.811	5 15/16	6 9/16	8 13/16	1 13/16	5 3/8	3.374	1.342	HC 214-44	T214	16.80
2 15/16 3	4.0157	5 15/16	6 9/16	9 1/8	1 7/8	5 1/2	3.626	1.468	HC 215-47 HC 215-48	T215	17.92

BALL BEARINGS



CAD drawings available upon request at no additional charge.

Furnished in non-expansion type only.

MOUNTED BALL BEARING HC 200 SERIES INSERT

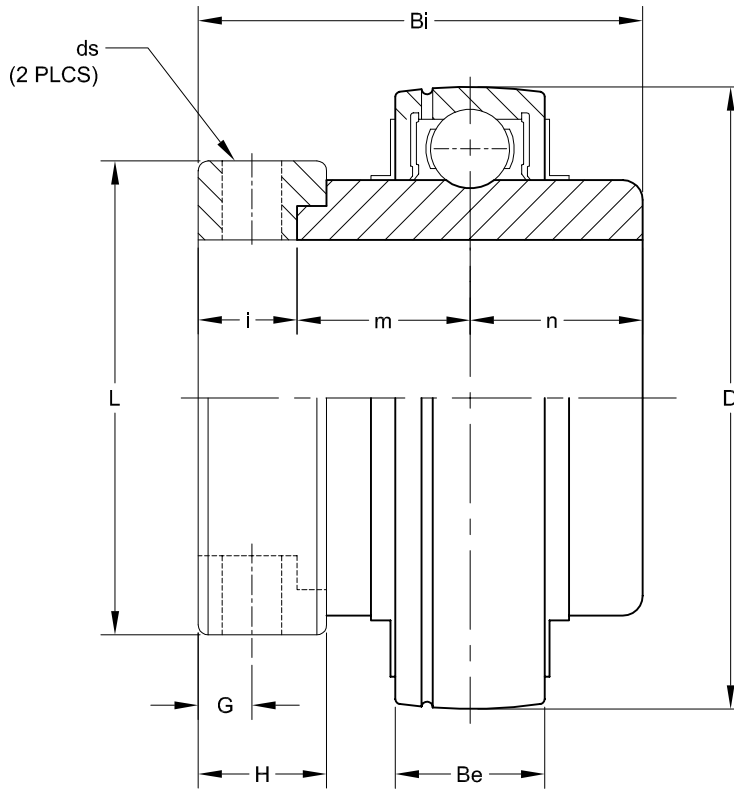
Normal Duty Eccentric Locking Collar

SHAFT SIZE	MOLINE #	UNIT #	DIMENSIONS (INCHES)										WEIGHT LBS.
			D	Bi	Be	n	m	i	L	H	G	ds	
3/4	15500012	HC 204-12	1.8504	1.7126	.6693	.6693	.6693	.374	1.311	.5315	.189	1/4-28	.46
7/8	15500014	HC 205-14	2.0472	1.7441	.6693	.685	.685	.374	1.50	.5315	.189	1/4-28	.51
15/16	15500015	HC 205-15											
1	15500100	HC 205-16											
1 1/8	15500102	HC 206-18	2.4409	1.9016	.748	.7165	.7165	.4685	1.752	.626	.2362	5/16-24	.82
1 3/16	15500103	HC 206-19											
1 1/4	15500104-06	HC 206-20											
1 1/4	15500104	HC 207-20	2.8346	2.0118	.7874	.7402	.7402	.5315	2.189	.689	.2677	5/16-24	1.32
1 5/16	15500105	HC 207-21											
1 3/8	15500106	HC 207-22											
1 7/16	15500107	HC 207-23											
1 1/2	15500108	HC 208-24	3.1496	2.2165	.8268	.8425	.8425	.5315	2.374	.7205	.2677	5/16-24	1.68
1 9/16	15500109	HC 208-25											
1 5/8	15500110	HC 209-26	3.3465	2.2165	.8661	.8425	.8425	.5315	2.752	.7205	.2559	5/16-24	1.74
1 11/16	15500111	HC 209-27											
1 3/4	15500112	HC 209-28											
1 7/8	15500114	HC 210-30	3.5433	2.4685	.9055	.9685	.9685	.5315	2.752	.7205	.2559	5/16-24	2.01
1 15/16	15500115	HC 210-31											
2	15500200-10	HC 210-32											
2	15500200	HC 211-32	3.937	2.811	.9449	1.0906	1.0906	.6299	3.00	.8189	.315	3/8-24	2.78
2 1/8	15500202	HC 211-34											
2 3/16	15500203	HC 211-35											
2 1/4	15500204	HC 212-36	4.3307	3.063	1.0236	1.2165	1.2165	.6299	3.315	.874	.323	3/8-24	4.12
2 3/8	15500206	HC 212-38											
2 7/16	15500207	HC 212-39											
2 1/2	15500208	HC 213-40	4.7244	3.374	1.063	1.3425	1.3425	.689	3.3858	.9252	.315	3/8-24	4.65
2 3/4	15500212	HC 214-44	4.921	3.374	1.181	1.342	1.4685	.689	3.811	.9252	.354	3/8-24	6.02
2 15/16	15500215	HC 215-47	5.1181	3.626	1.1811	1.4685	1.4685	.689	4.0157	.3546	.3546	3/8-24	6.87
3	15500300	HC 215-48											

BALL BEARINGS



MOUNTED BALL BEARING HC 200 SERIES INSERT



BALL BEARINGS



CAD drawings available upon request at no additional charge.

MOUNTED BALL BEARING APPLICATION GUIDE

MOUNTING INSTRUCTIONS

Proper mounting of ball bearing units is critical to unit performance. Failure to follow accepted mounting practice may result in poor performance and short bearing life.

Good engineering and design practice does not recommend the application of more than two bearings to support any shaft. Where more than two bearings are used to support the same shaft, it is possible to induce heavy bearing overloads. In these cases, extreme care must be taken to line up bearings in both the vertical and horizontal planes. When the recommended two bearings are used, alignment is not as critical. Moline Bearing self-aligning mounted bearing units will compensate for minor differences in mounting structure.

For best results, use turned and ground shafts that are free of rough spots and burrs. If an old shaft is used, mount bearing units on a relatively smooth and unworn section.

Prior to mounting, clean both the shaft and the bearing bore. Coat the shaft with a small amount of oil. Slide the bearing unit on the shaft. Do not hammer the ends of the inner race. If necessary to apply some force in mounting, use a soft metal bar or pipe against the inner race only. Tap the bearing unit into place.

Tighten the two set screws securely to lock the bearing to the shaft. In applications where the bearing is subjected to heavy vibration, shock loads, or heavy thrust loads, then it may be desirable to file the shaft flat or drill the shaft slightly in the area where the set screws will contact.

MAXIMUM SPEED

The maximum speed limits listed for the ball bearings can be found in the load rating table. These numbers should be used as a guide and considered along with other factors affecting bearing operation. Load characteristics, bearing lubrication, and temperature factors all influence bearing operation. It is possible that cataloged speed limits may be exceeded after factory engineers complete a complete application analysis.

LUBRICATION

The proper lubrication of ball bearing units is critical in order to attain maximum bearing life expectancy. Moline ball bearing units need to be lubricated prior to use. They should be re-lubricated periodically, depending on the environment the bearing is exposed to. The following table can be used as a general guide. Experience will determine the best interval for each specific application.

Lubrication Guide

OPERATING CONDITIONS	BEARING TEMPERATURES	GREASE INTERVAL
Clean	32°F to 120°F	6–12 Months
	120°F to 150°F	1–3 Months
	150°F to 200°F	1–4 Weeks
Dirty	32°F to 150°F	1–4 Weeks
	150°F to 200°F	Daily–1 Week
Moisture	32°F to 200°F	Daily–1 Week

The amount and type of lubricant used will affect bearing life. Lack of lubricant can lead to premature surface fatigue failures of balls and races. Over lubrication can damage seals and result in premature failure from contamination due to the inability of damaged seals to keep foreign material out of the bearing.

When lubricating bearings add grease slowly while the shaft is rotating. When the first sign of grease appears at the seals, the bearing will contain the correct amount of lubricant.

Bearings should not run in steady operation over 200°F and should not exceed 225°F for intermittent operation.

For unusual lubrication requirements or severe duty applications, contact Moline Bearing engineering for recommendations.

MOUNTED BALL BEARING APPLICATION GUIDE

BEARING SELECTION

Selection of the proper Moline bearing unit for a determined speed and load can be made by referring to the load rating tables. Proper selection is made by finding a bearing having the desired bore size which has a load rating equal to or greater than the radial or equivalent radial load required for the application.

The ratings shown in the rating tables are based on an average bearing life of 2500 hours. Average bearing life is approximately 5 times L10 life and is the life which may be expected from 50% or more of a given group of bearings operating under identical load conditions. Life expectancies for other than 2,500 hours average life may be determined by using the rating modification factors listed.

BEARING LOADS

Radial loads and thrust force in combination are the principal load components of bearing applied loads. Moline ball bearing unit ratings are based upon the radial load capacity of the bearing. For applications where bearings are required to absorb thrust loads in addition to normal radial loads, the following considerations must be made concerning the magnitude of the thrust force.

When thrust loads are less than half the radial load, the equivalent load should be considered to be the same as the radial load. If the thrust load is equal to or greater than $\frac{1}{2}$ the radial load, the equivalent load is determined by adding the two loads together. For thrust loads equal to or greater than the radial load, consult the factory.

EXAMPLE 1: RADIAL LOAD SERVICE LIFE

Select a mounted bearing flange block to meet the following application requirements.

- Shaft diameter of 1 inch
- Shaft speed is 1500 RPM
- Radial load requirement is 300 lbs.
- Average life requirement is 5000 hours

From the rating table located on the previous page, locate the series bearing corresponding to a one-inch shaft diameter and follow that line to the 1500 RPM

column. The load capacity in this case is 860 lbs. These published radial load capacities are based on an average life of 2,500 hours and must be modified to suit the application requirement 5,000 hours average life by using the proper multiplier from the chart below. Calculate the equivalent radial load capacity for 5,000 hours average life expectancy as follows:

$$\begin{array}{l} 860 \text{ lbs. radial capacity} \\ \times .794 \text{ 5,000 hours avg. life factor} \\ \hline 683 \text{ lbs. radial capacity} \\ \text{for 5,000 hours avg. life} \end{array}$$

EXAMPLE 2: COMBINATION RADIAL AND THRUST LOAD REQUIREMENT

Select a mounted pillow block to meet the following specifications.

- Shaft diameter of $1\frac{3}{16}$
- A Combination load is applied consisting of
 - Radial Load of 400 lbs.
 - Thrust Load is 250 lbs.
- Shaft speed is 1000 RPM
- The average life requirement is 2,500 hours

From the load rating table on the previous page, locate the line with the series bearing corresponding to $1\frac{3}{16}$ inch shaft size and follow this line to the right to the 1000 RPM column. The radial load capacity for the bearing is 1389 lbs.

Since the application average life is what the catalog rating charts are based on there's no need to apply further modification factors.

Because the applied thrust load of 250 lbs. is more than half of the applied radial load of 400 lbs., these loads must be added together to obtain the equivalent load requirement.

$$\begin{array}{l} \text{Equivalent load:} \\ 400 \text{ lbs.} + 250 \text{ lbs.} = 650 \text{ lbs.} \end{array}$$

The equivalent radial requirement of 650 lbs. is less than the rated capacity, so the bearing size desired can be used.

MOUNTED BALL BEARING RADIAL LOAD RATINGS

Radial Load Ratings In Pounds

Information in this table shows load ratings at various RPM based on 500 hours minimum life to 2500 hours average life.

BALL BEARINGS

BEARING #	RADIAL LOAD RATING AT VARIOUS RPM											
	50	100	250	500	750	1000	1200	1500	2000	2400	3800	5000
201-204	2469	1962	1433	1146	992	904	860	794	727	683	595	529
205	2690	2138	1587	1257	1102	1014	926	860	794	749	639	551
206	3747	2976	2204	1741	1521	1389	1301	1212	1102	1036	904	816
207	4960	3924	2888	2293	2006	1830	1675	1587	1455	1367	1190	-----
208	5600	4453	3285	2601	2271	2072	1940	1808	1631	1543	1345	-----
209	6173	4894	3593	2866	2491	2271	2138	1984	1808	1697	-----	-----
210	6768	5357	3946	3130	2734	2491	2315	2182	1984	1852	-----	-----
211	8333	6614	4872	3924	3593	3064	2888	2690	2447	2293	-----	-----
212	10097	8002	5908	4674	4100	3726	3505	3241	2954	2778	-----	-----
213	11023	8752	6437	5115	4475	4056	3814	3549	3219	-----	-----	-----
214	11971	9502	7010	5555	4850	4409	4144	3858	3505	-----	-----	-----
215	12985	10295	7583	6019	5247	4784	4497	4167	3792	-----	-----	-----
218	18721	14859	10949	8690	7592	6898	6491	6026	5475	-----	-----	-----

Modification Factors for Average Service Life and Load Conditions

LOAD CONDITIONS	AVERAGE LIFE (1,000 HOURS)													
	2.5	3	4	5	6	7	8	10	15	20	25	30	40	50
Steady Load	1.00	.941	.855	.794	.747	.709	.679	.630	.550	.500	.464	.437	.397	.368
Light Shock	.900	.847	.770	.715	.672	.639	.611	.567	.495	.450	.418	.393	.357	.331
Moderate Shock	.700	.659	.599	.556	.523	.500	.475	.441	.385	.350	.325	.306	.278	.258

Factors are used to modify for loads that are not steady or for average life requirements beyond the standard 2500 hours shown in the Radial Load Rating table.



MOUNTED BALL BEARING INTERCHANGE

Normal Duty—200 Series

MOLINE	DODGE	BROWNING	SEALMASTER	HUB CITY	TIMKEN FAFNIR	FYH
UCP 2-Bolt Pillow Block	SC-1	VPS	RP	PB251	SAS	UCP
HCP 2-Bolt Pillow Block Eccentric	SXR-1	VPE	RPE	PB221	RAS	NAP
UCF 4-Bolt Flange	SC-4	VF4S	RF	FB250	SCJ	UCF
HCf 4-Bolt Flange Eccentric	SXR-4	VF4E	RFE	FB220	RCJ	NANF
UCFL 2-Bolt Flange	SC-2	VF2S	RFT	FB260	SCJT	UCFL
HCFL 2-Bolt Flange Eccentric	SXR-2	VF2E	RFTE	FB230	RCJT	NANFL
UCFC Piloted Flange	FCSC	----	----	----	----	UCFC2
HCFC Piloted Flange Eccentric	----	----	----	----	----	----
UCT Wide Slot Take-Up	WSTUSC	VTWS	RT	WSTU250	VTU	UCT
HCT Wide Slot Take-Up Eccentric	WSTUSXR	VTWE	RT-E	WSTU220	RTU	NAT

Dimensionally compatible with most mounted ball bearings. However, some dimensional variations may exist. Please verify your engineering data or contact the factory with any questions you may have.